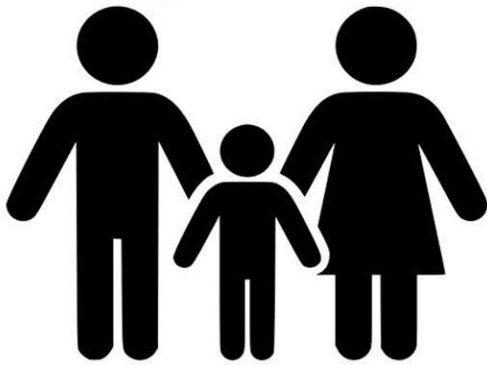


NRC PROJECTS



**1/24 RC BUGGY
USER MANUAL**

www.nrcprojects.com



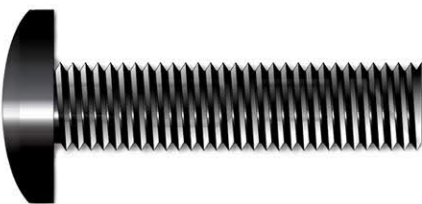
**KEEP AWAY FROM
CHILDREN, CONTAINS
SMALL PARTS AND
CHOKING HAZARDS**



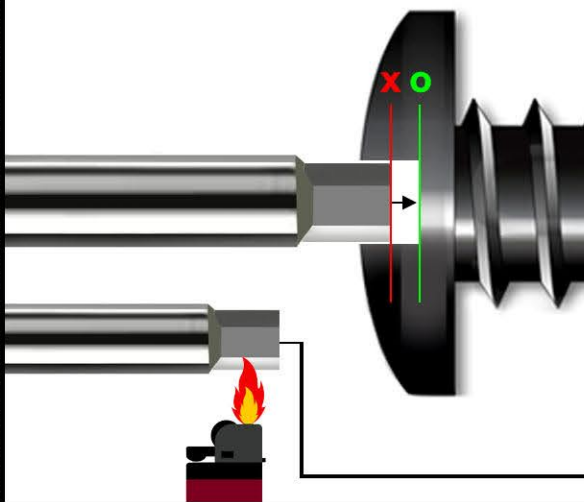
DO NOT OVER-TIGHTEN!



***SELF TAPPING SCREWS
FOR PLASTIC PARTS**



***MACHINE SCREWS FOR
ALUMINIUM PARTS**



***ENGAGE DRIVER FULLY
INTO SCREW SOCKET**

***HEAT TOOL TIP TO HELP
ENGAGEMENT INTO SCREW
SOCKET**



DRIVERS-
***1.5MM HEX (x2)**
***0.9MM HEX**

***CALIPERS**



PIN VICE/PIN DRILL
DRILL BITS-
***1MM**
***1.3MM**
***1.5MM**
***2MM**

SMALL HOBBY FILE



M2 NUT DRIVER-
***4MM**
***4.5MM (FOR LARGER M2**
LOCKNUTS)

***TWEEZERS**



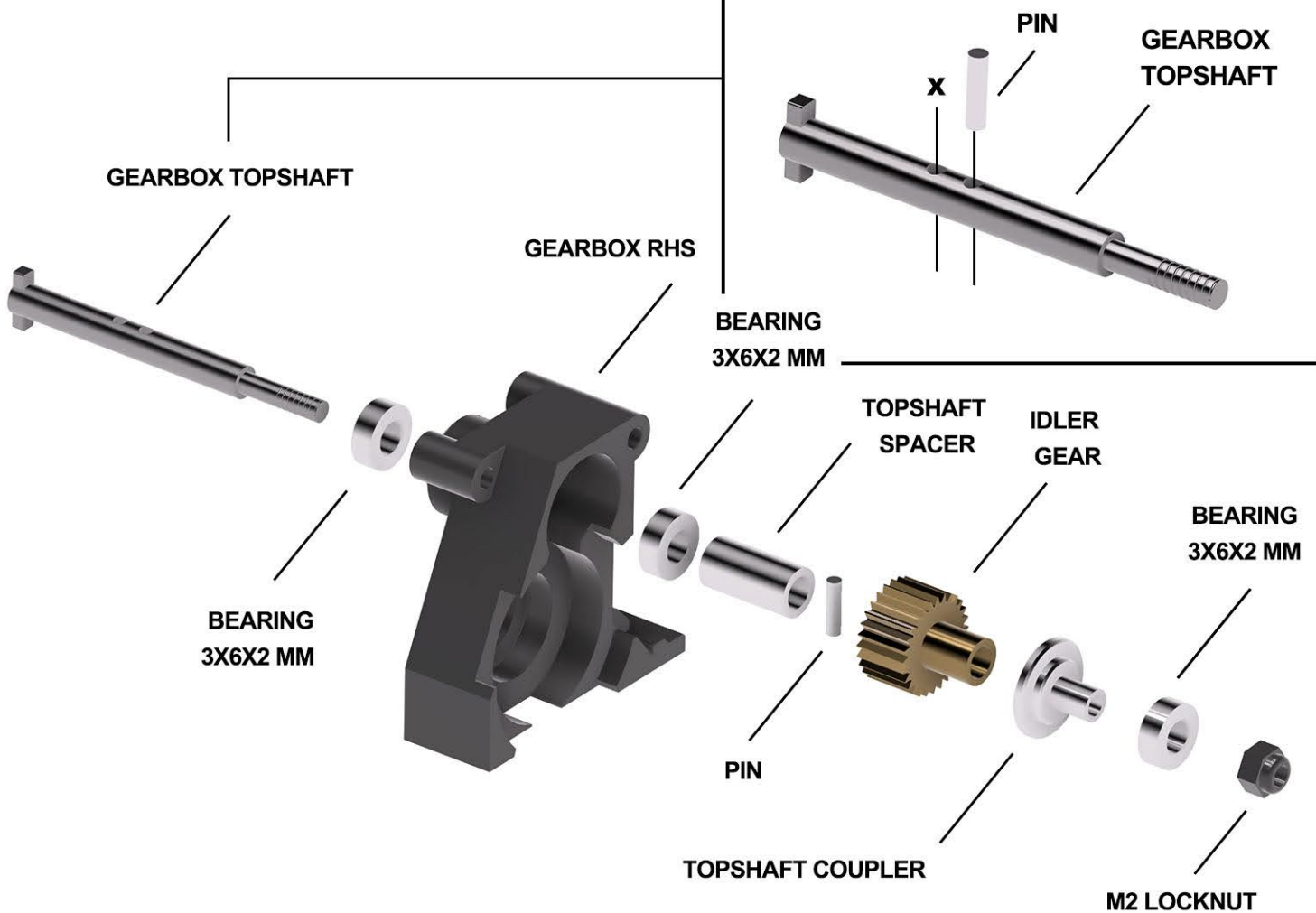
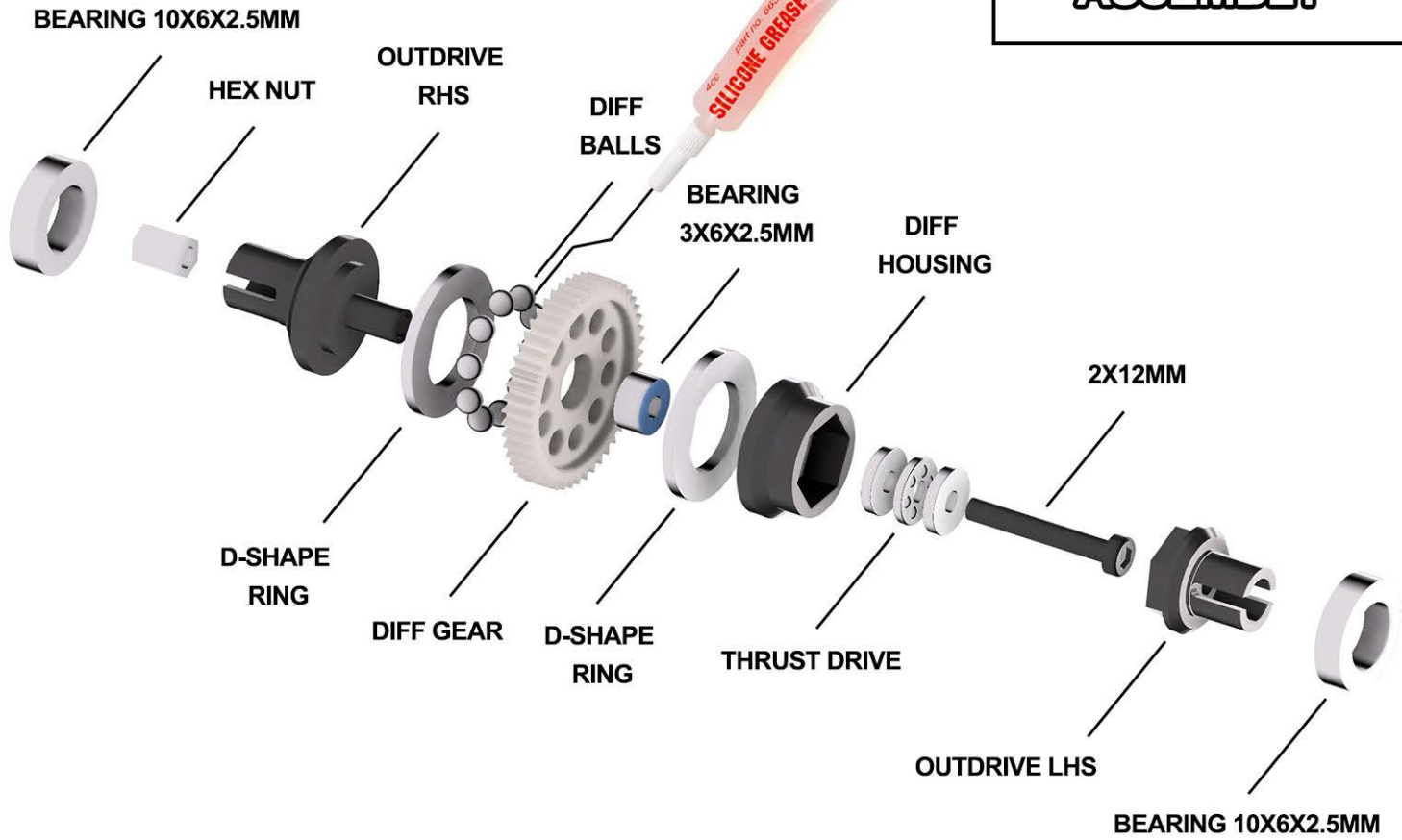
BODYSHELL REAMER

LEXAN SCISSORS

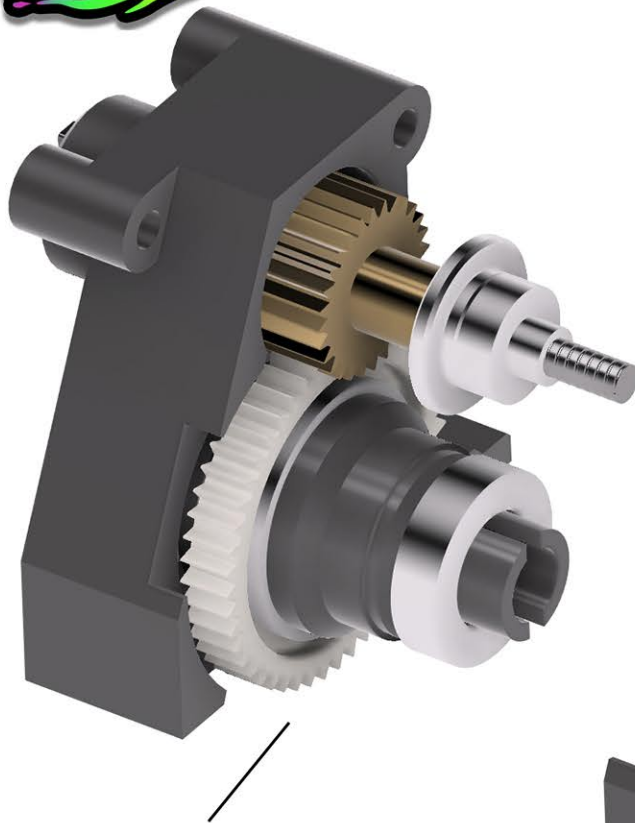
SMALL PLIERS

GEARBOX ASSEMBLY

ADD SILICON GREASE TO DIFF BALLS



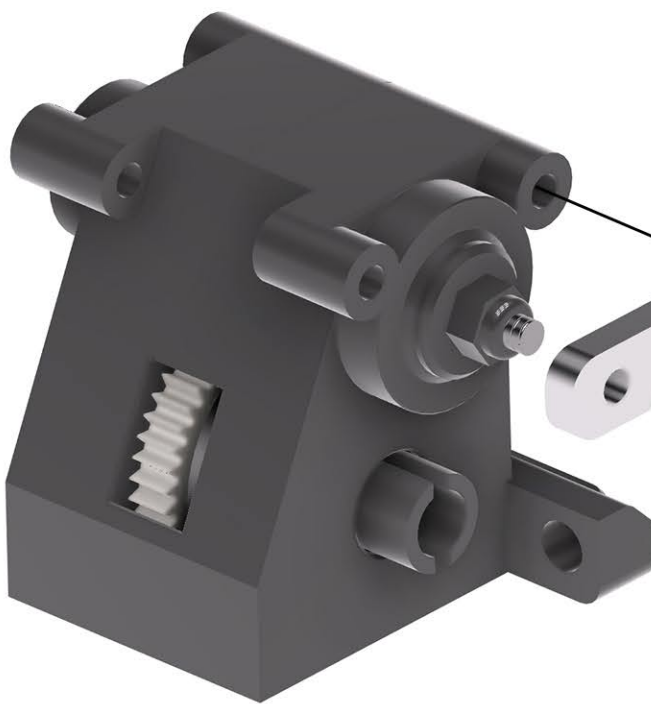
**GEARBOX
ASSEMBLY**



COMPLETE DIFF

GEARBOX LHS

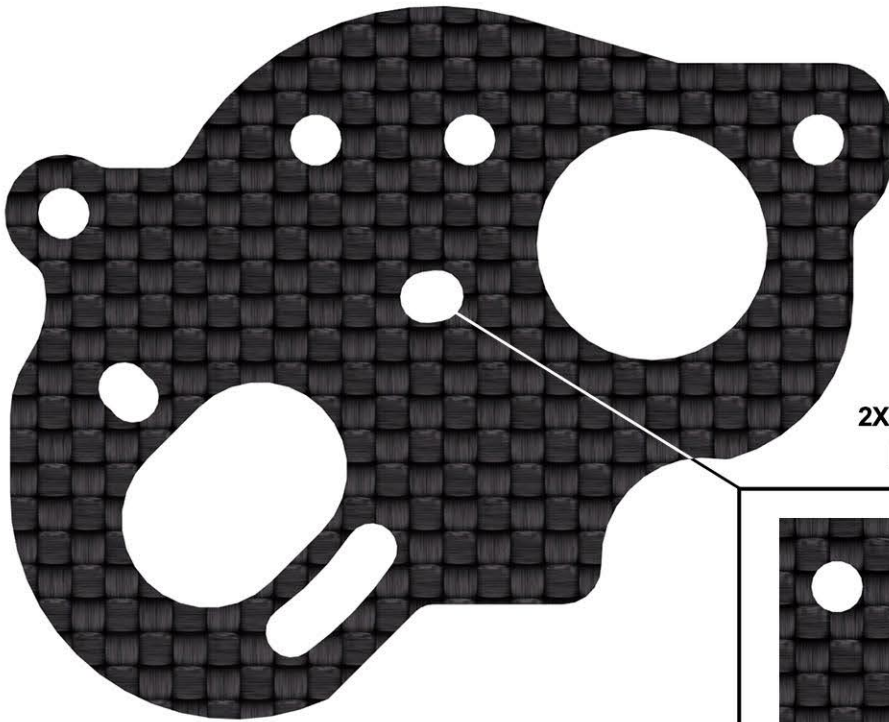
M2 LOCKNUT



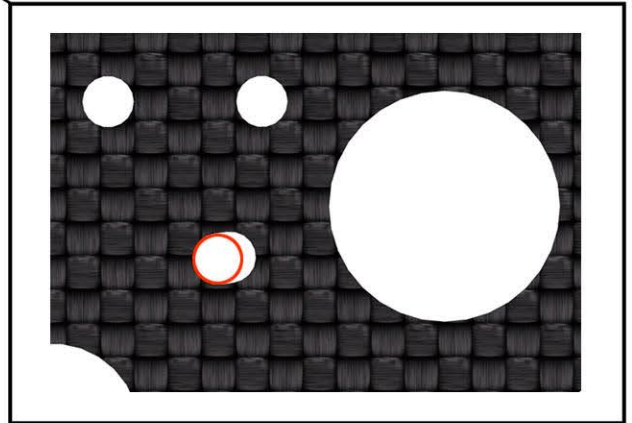
GEARBOX BRACE

2X30MM

**GEARBOX
ASSEMBLY**



2X4MM SCREW & SPUR GEAR
POST TO REAR POSITION



THREAD LOCK

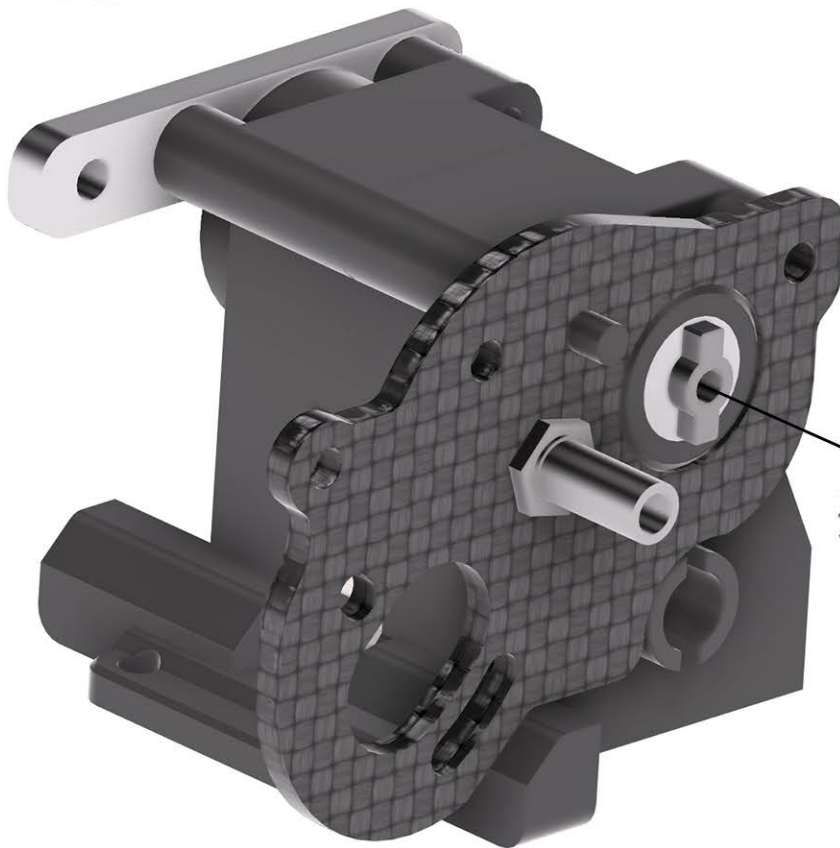


2X4MM



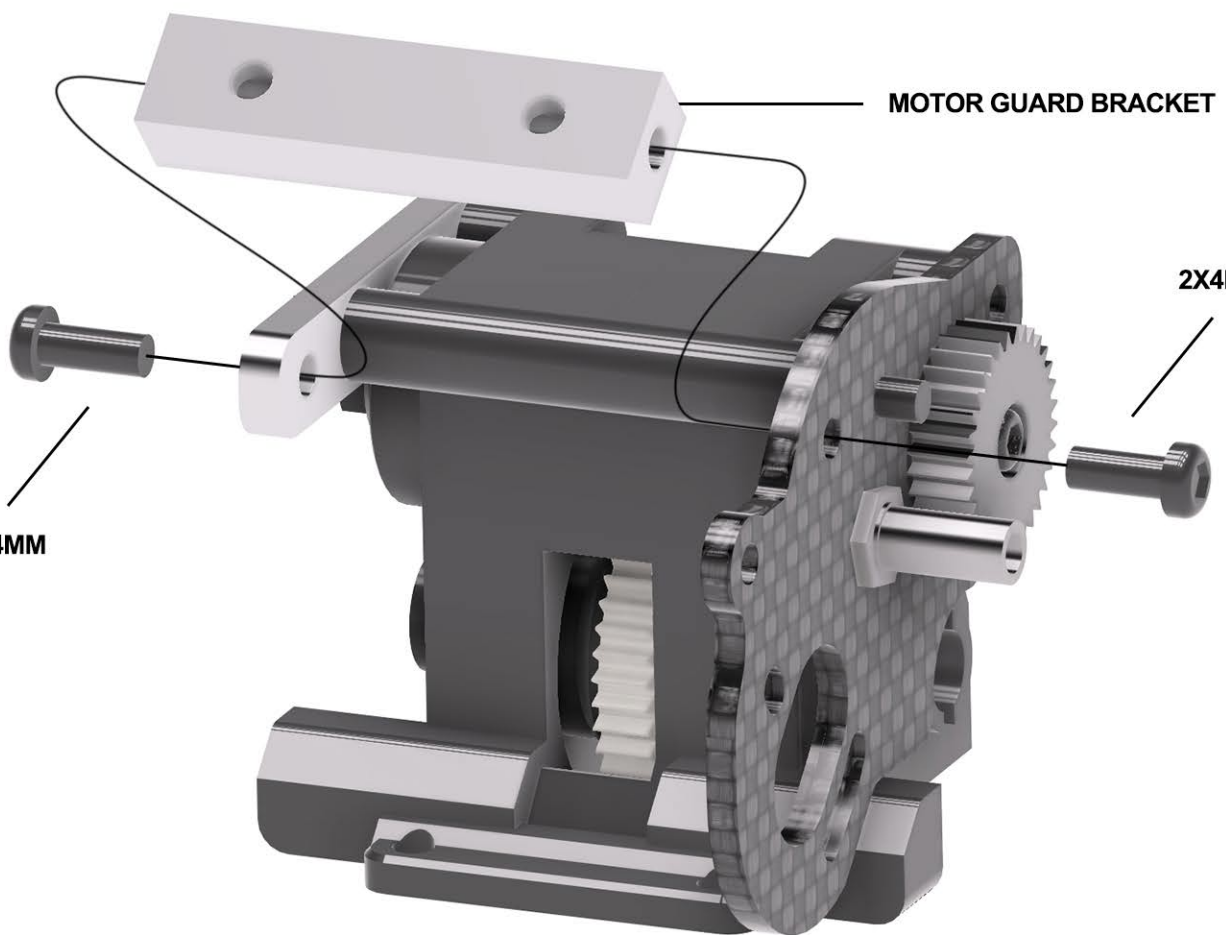
SPUR GEAR POST

GEARBOX ASSEMBLY



TOP SHAFT GEAR

1.2X4MM

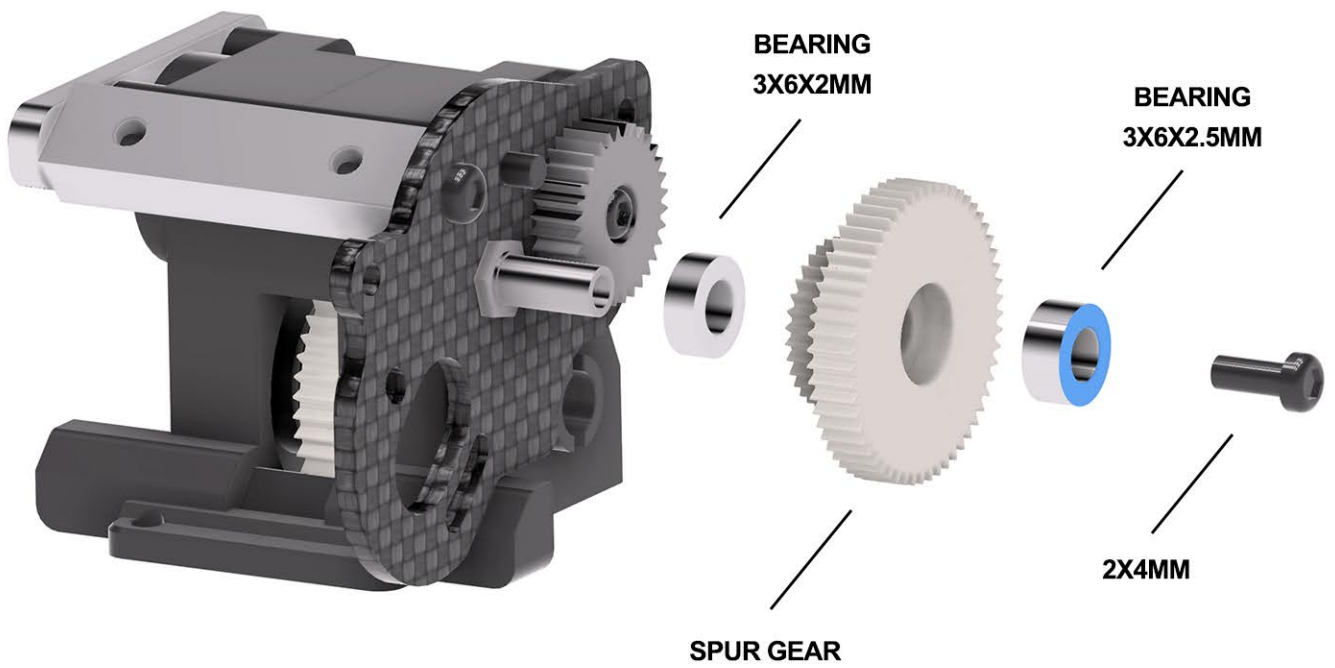


MOTOR GUARD BRACKET

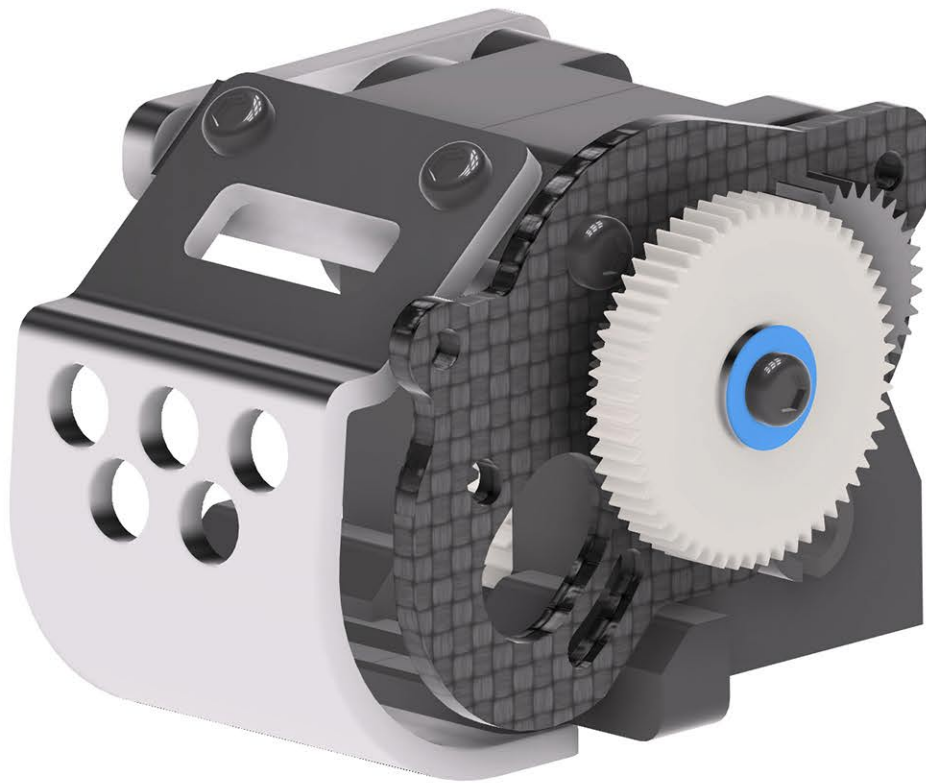
2X4MM

2X4MM

**GEARBOX
ASSEMBLY**



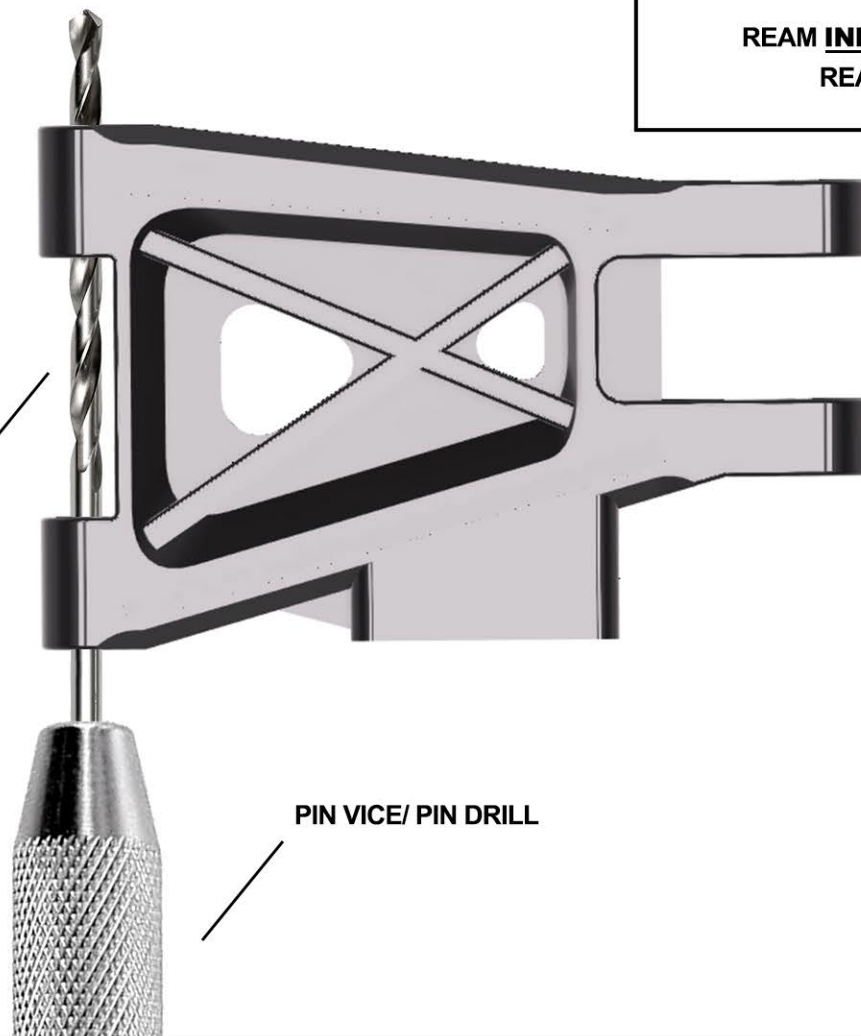
**GEARBOX
COMPLETE!**



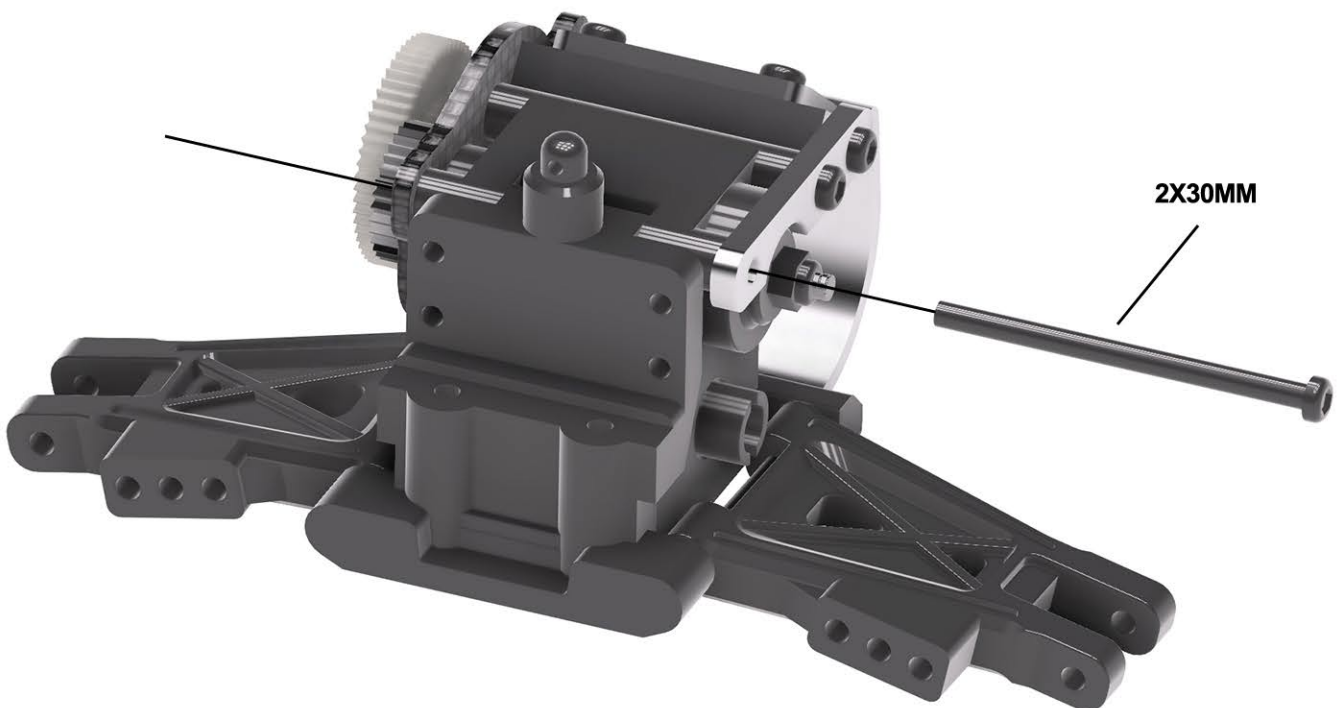
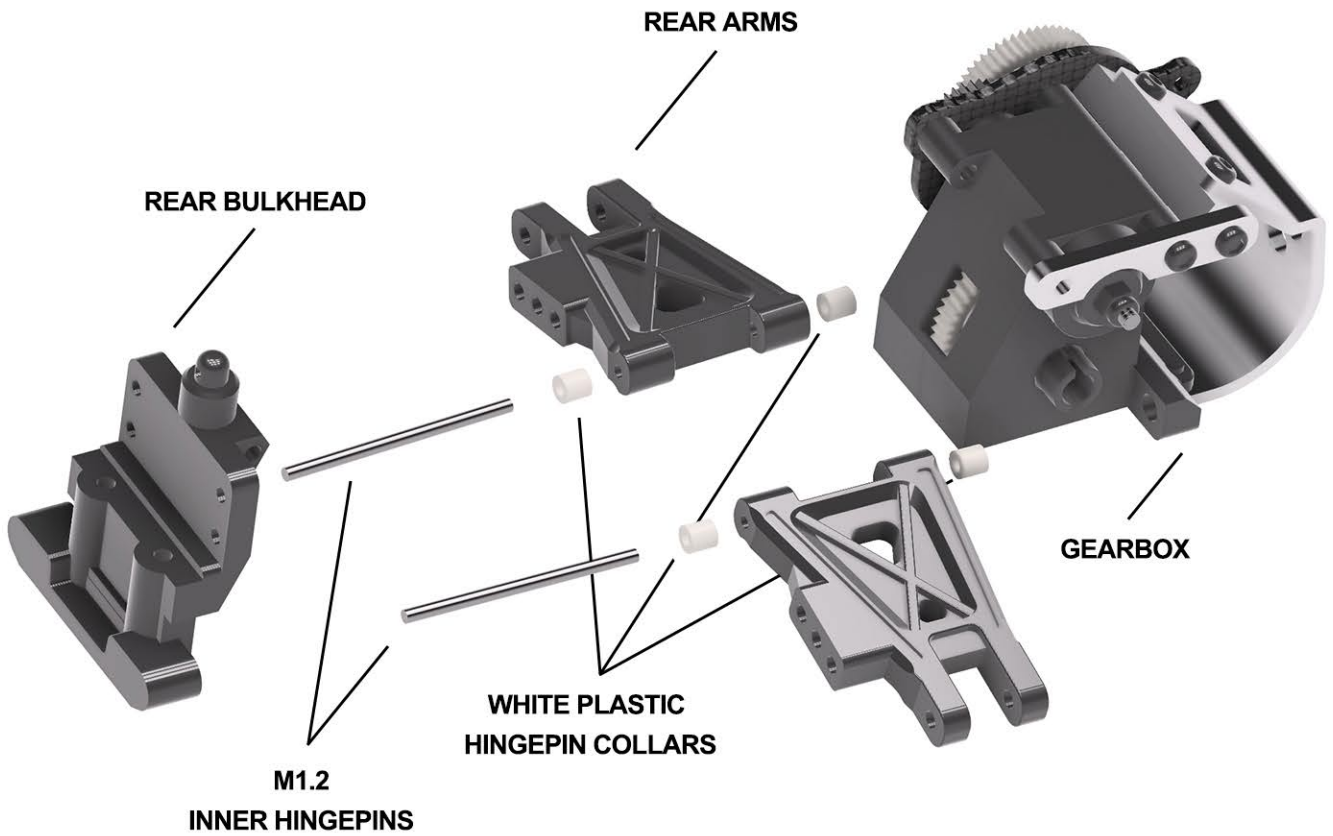
REAM INNER HOLES OF
REAR ARMS

1.3MM DRILL BIT

PIN VICE/ PIN DRILL



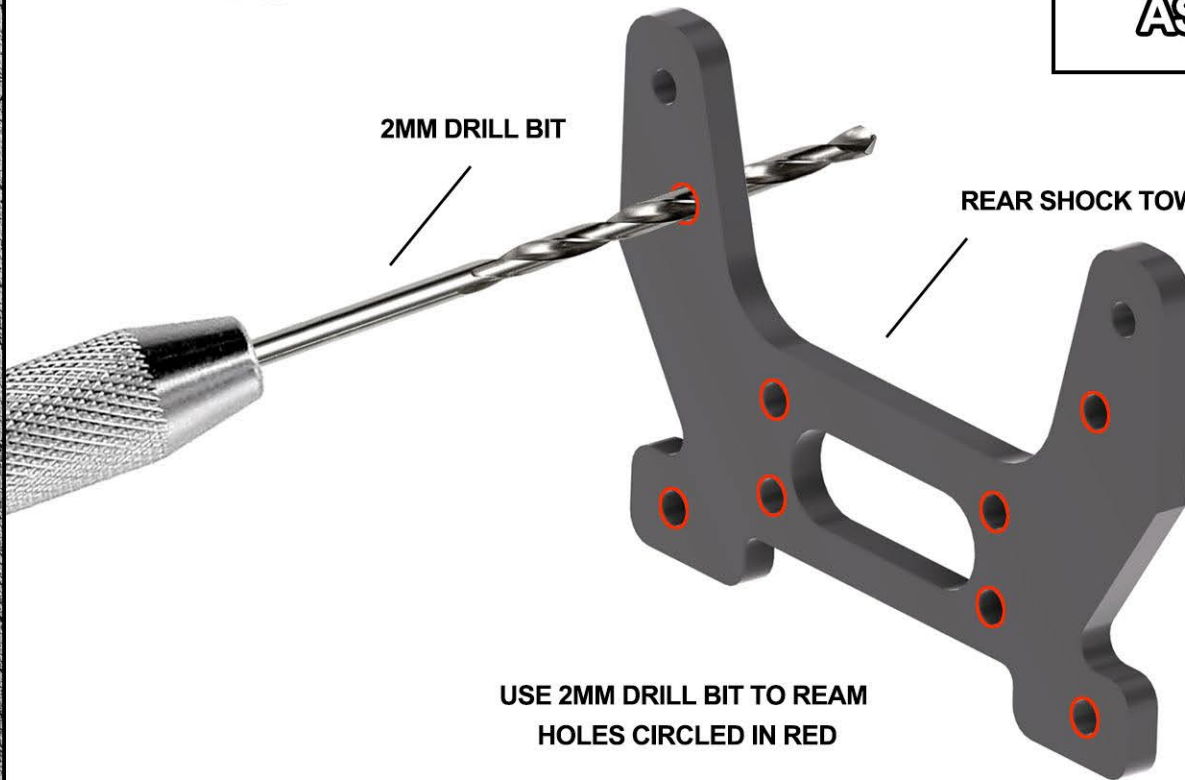
**REAR
ASSEMBLY**



REAR ASSEMBLY

2MM DRILL BIT

REAR SHOCK TOWER



USE 2MM DRILL BIT TO REAM
HOLES CIRCLED IN RED

SHORT

MED

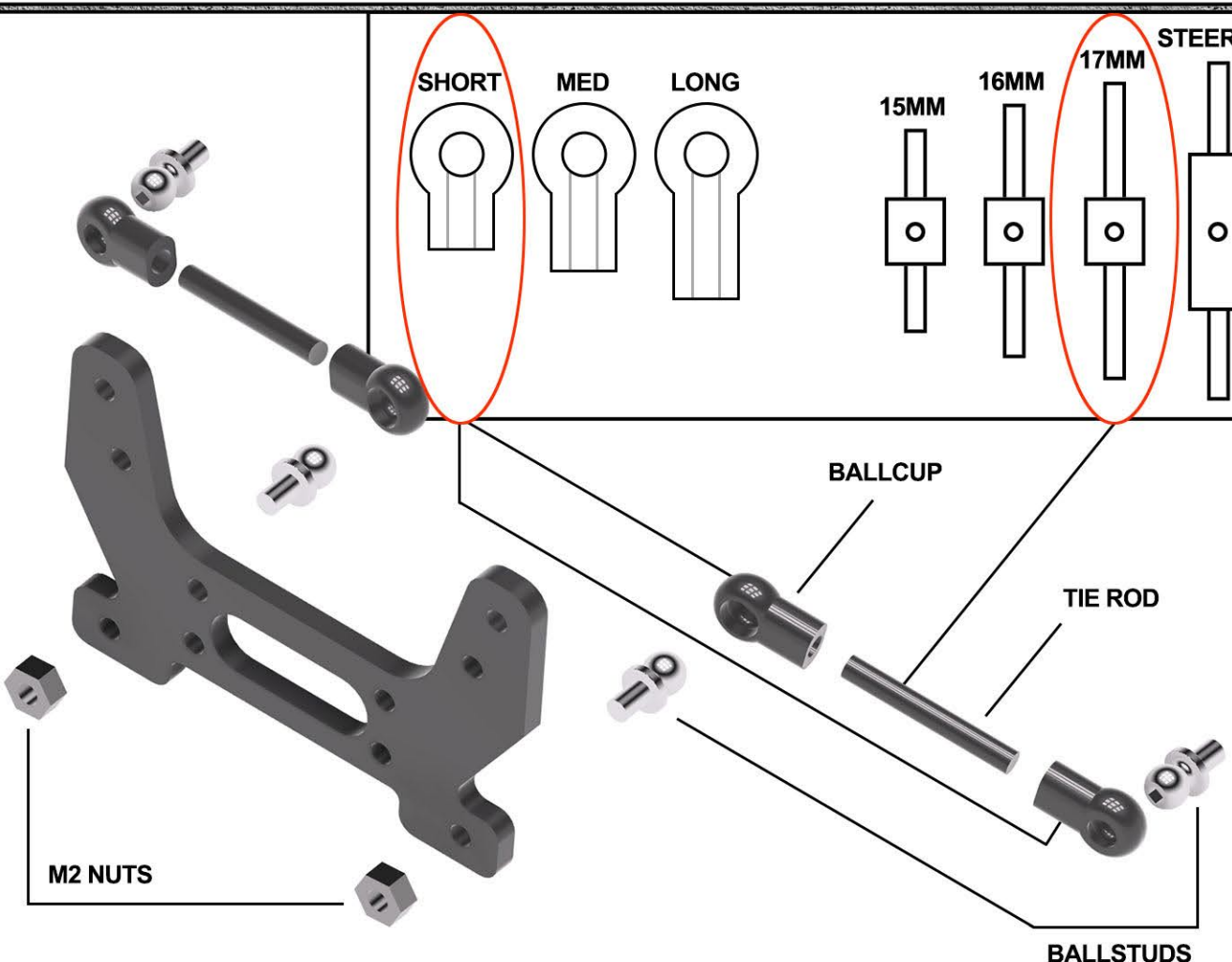
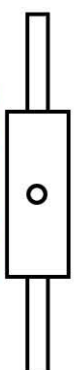
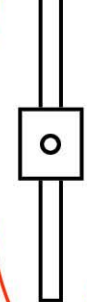
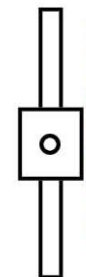
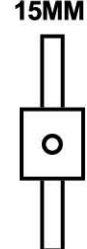
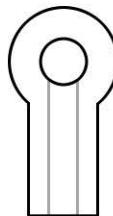
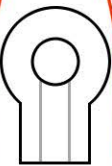
LONG

15MM

16MM

17MM

STEERING



M2 NUTS

BALLCUP

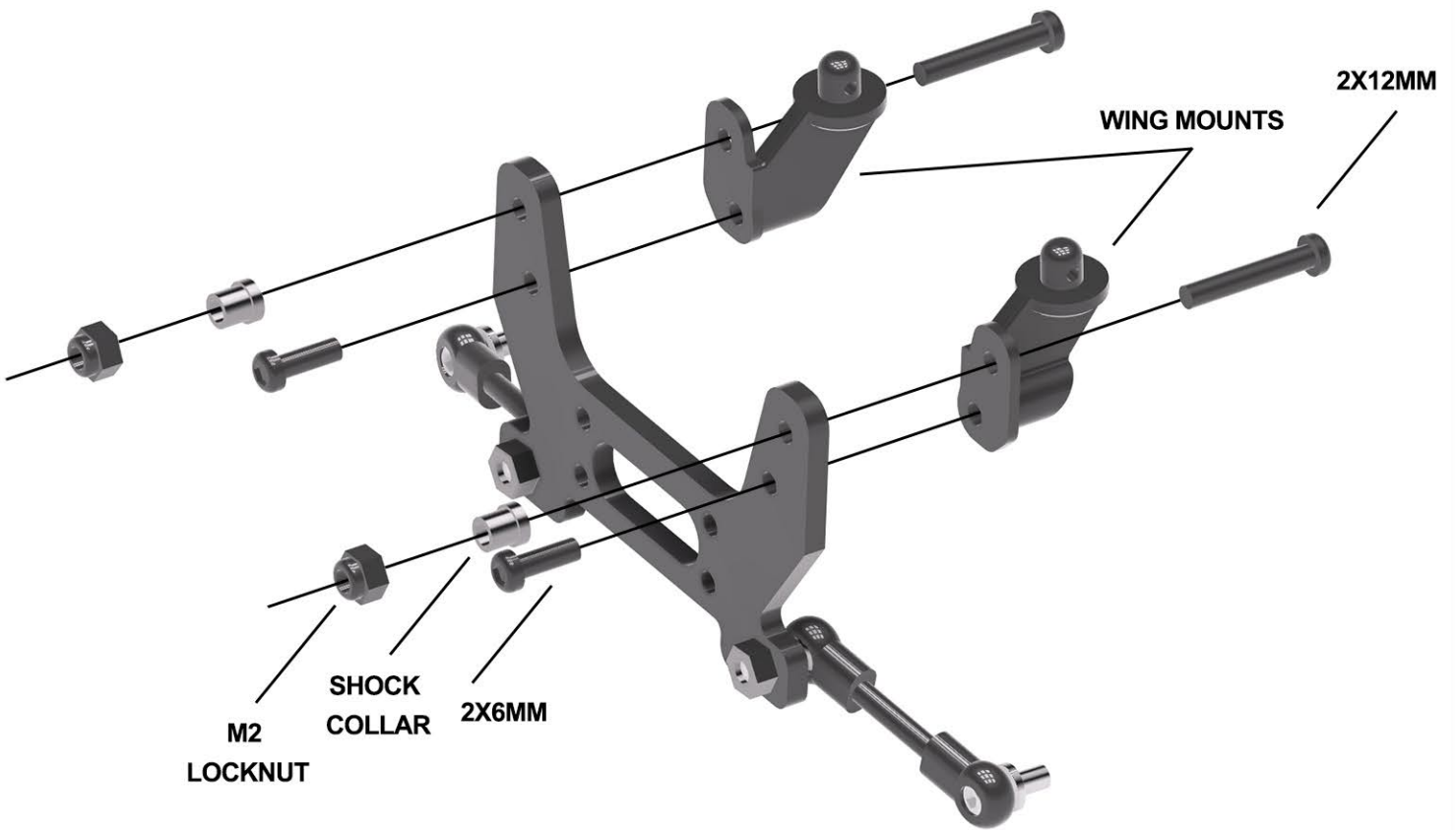
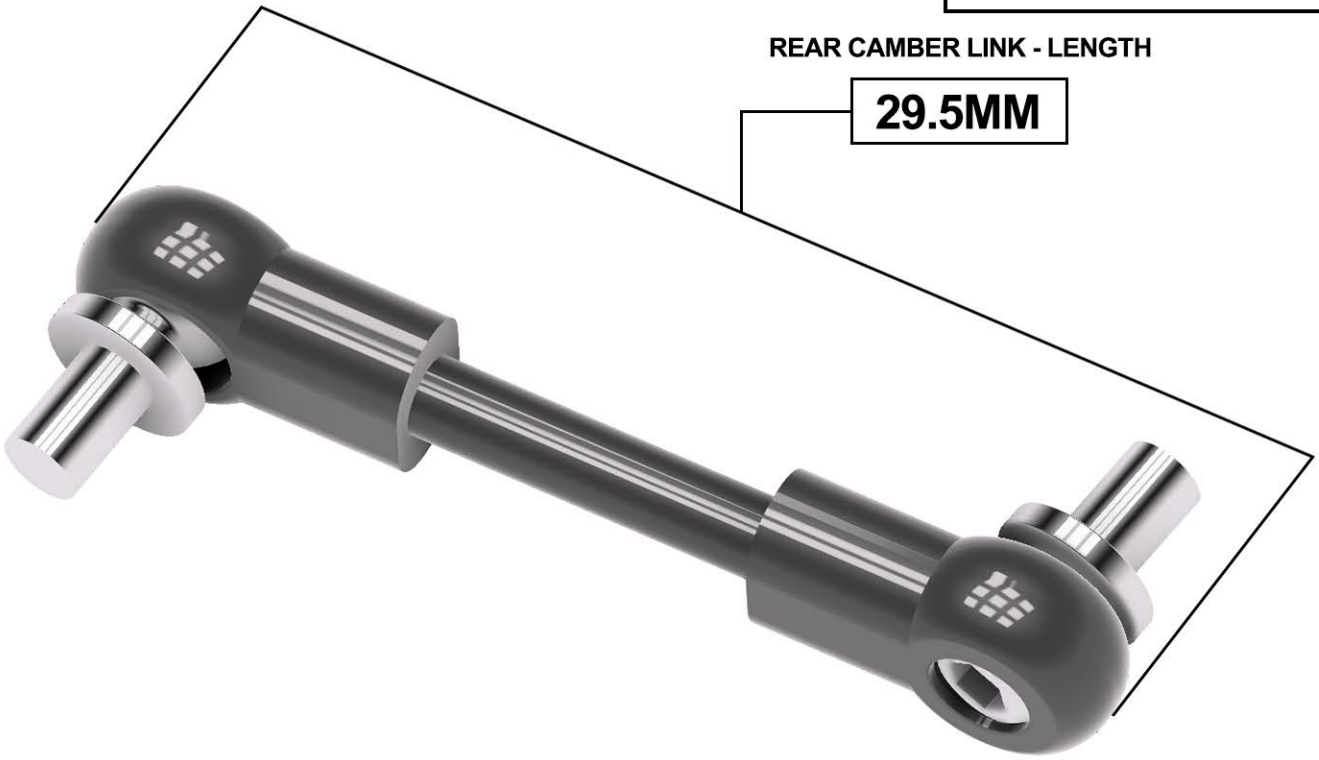
TIE ROD

BALLSTUDS

**REAR
ASSEMBLY**

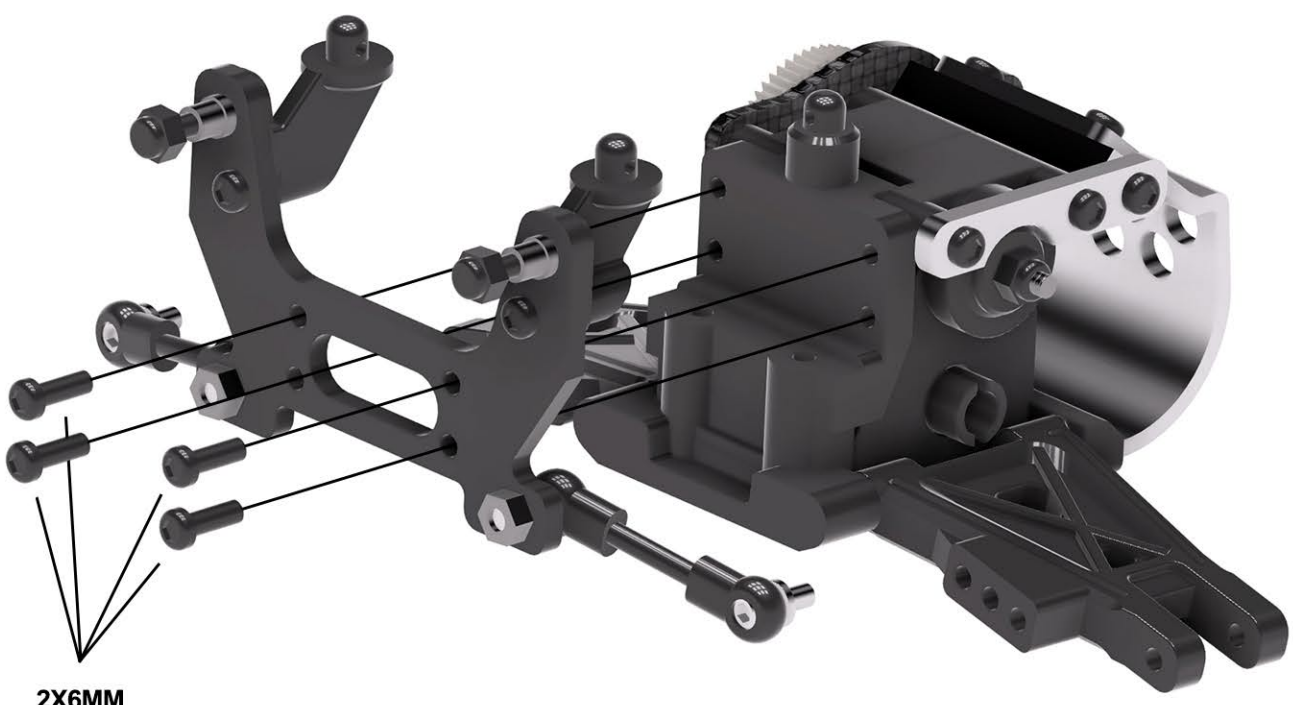
REAR CAMBER LINK - LENGTH

29.5MM



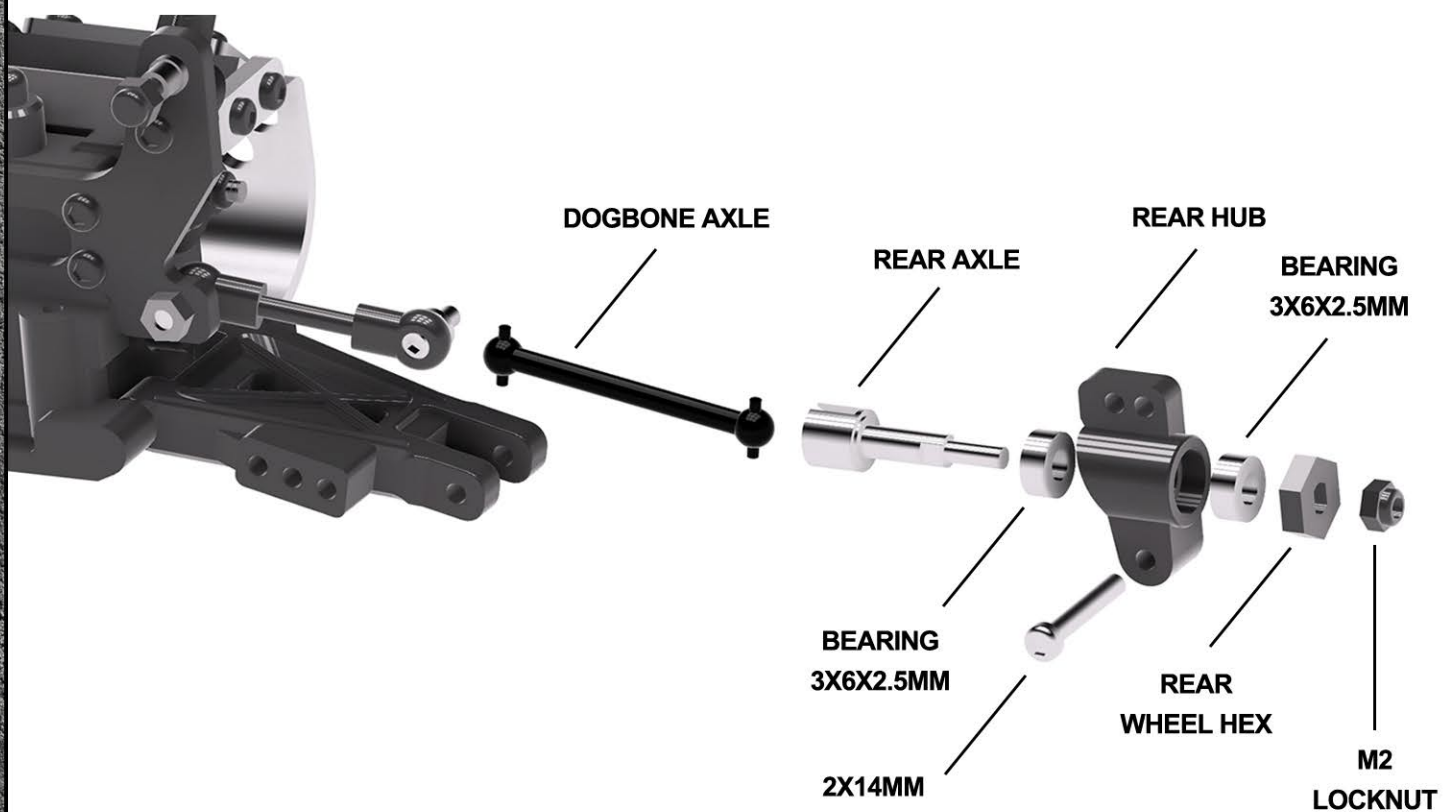
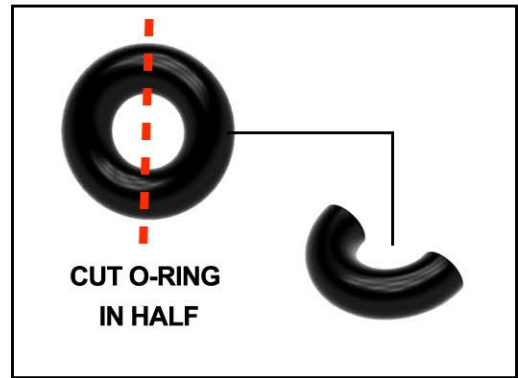
**REAR
ASSEMBLY**

**ASSEMBLED REAR
SHOCK TOWER**



2X6MM

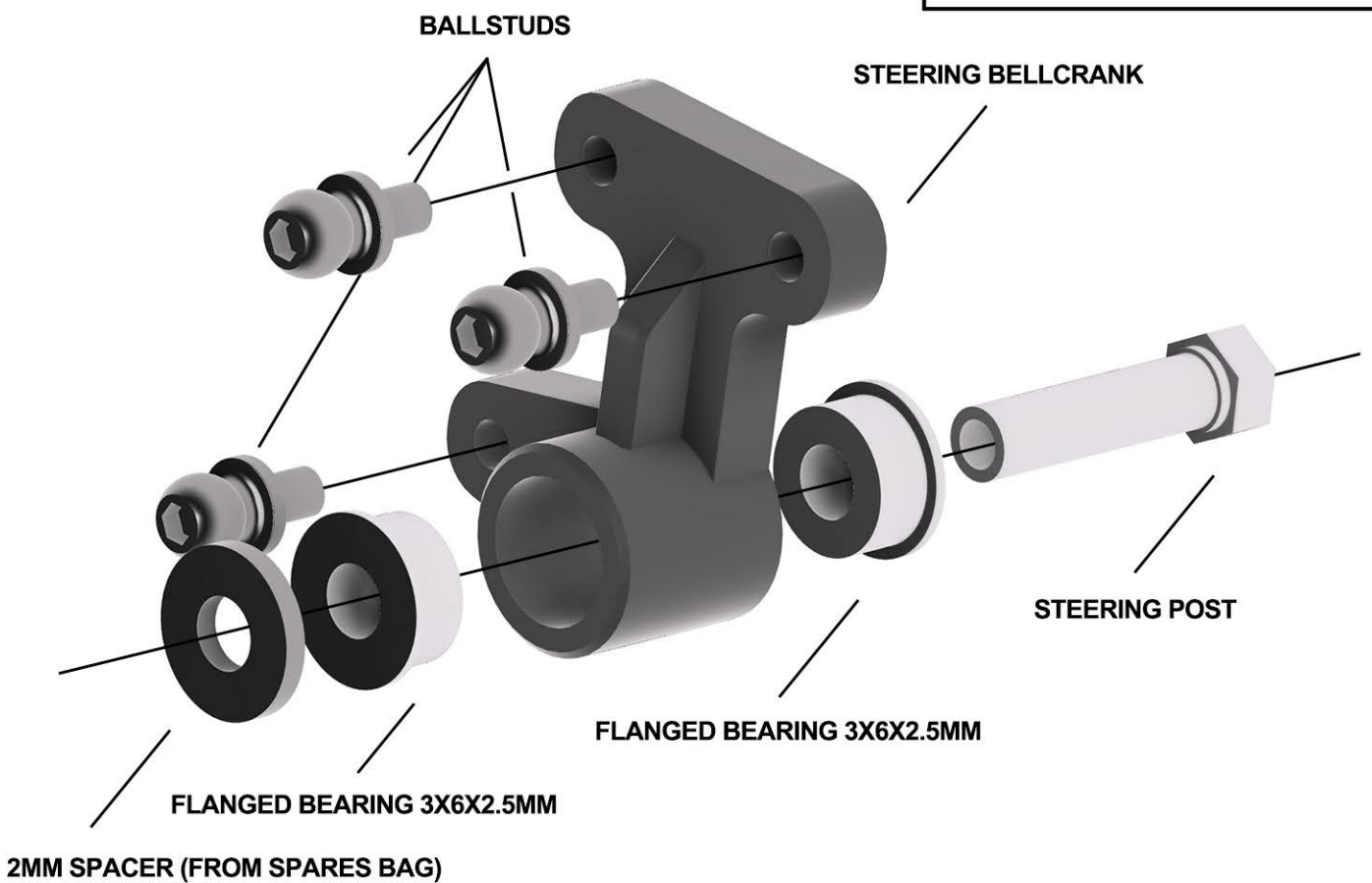
REAR ASSEMBLY



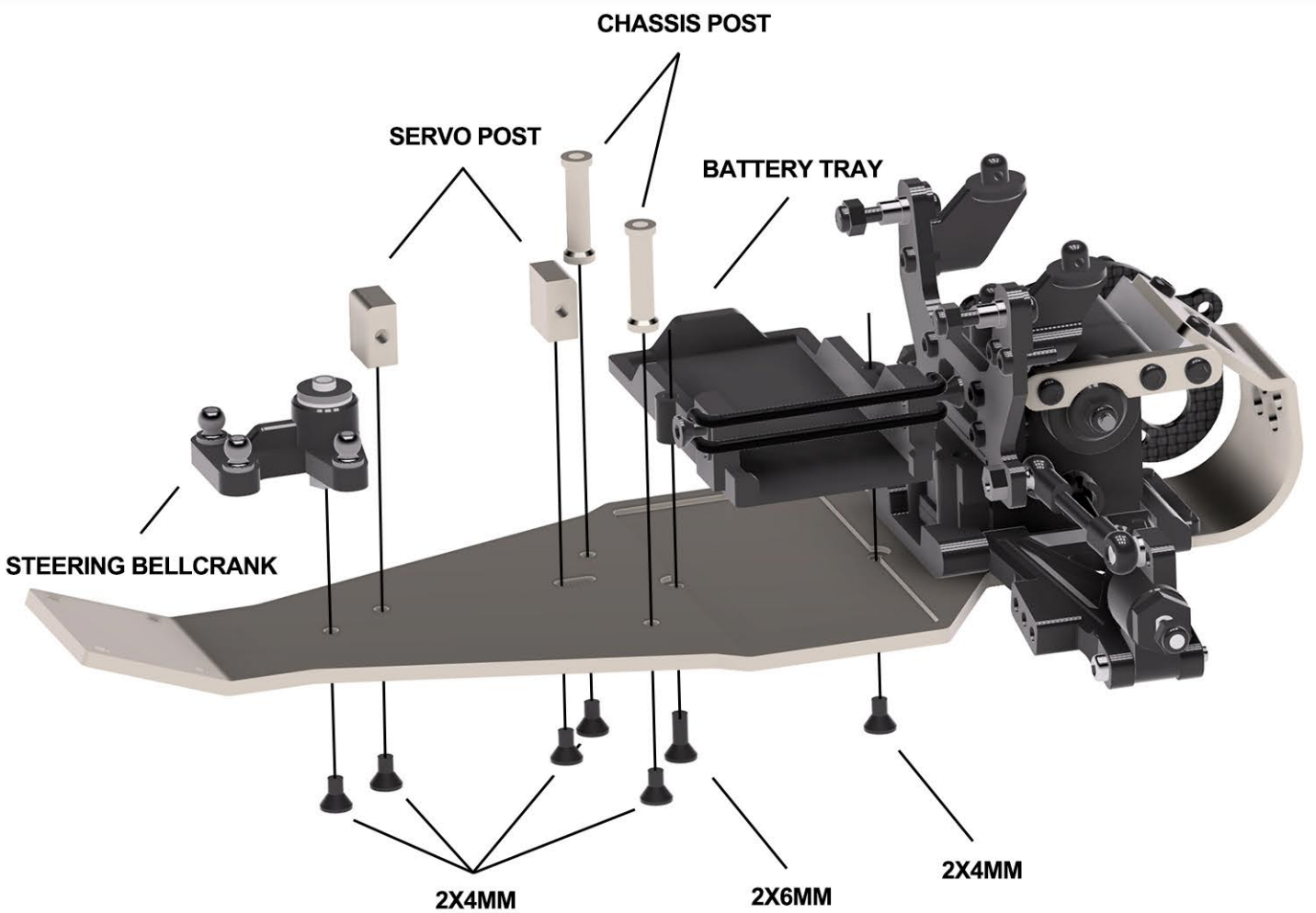
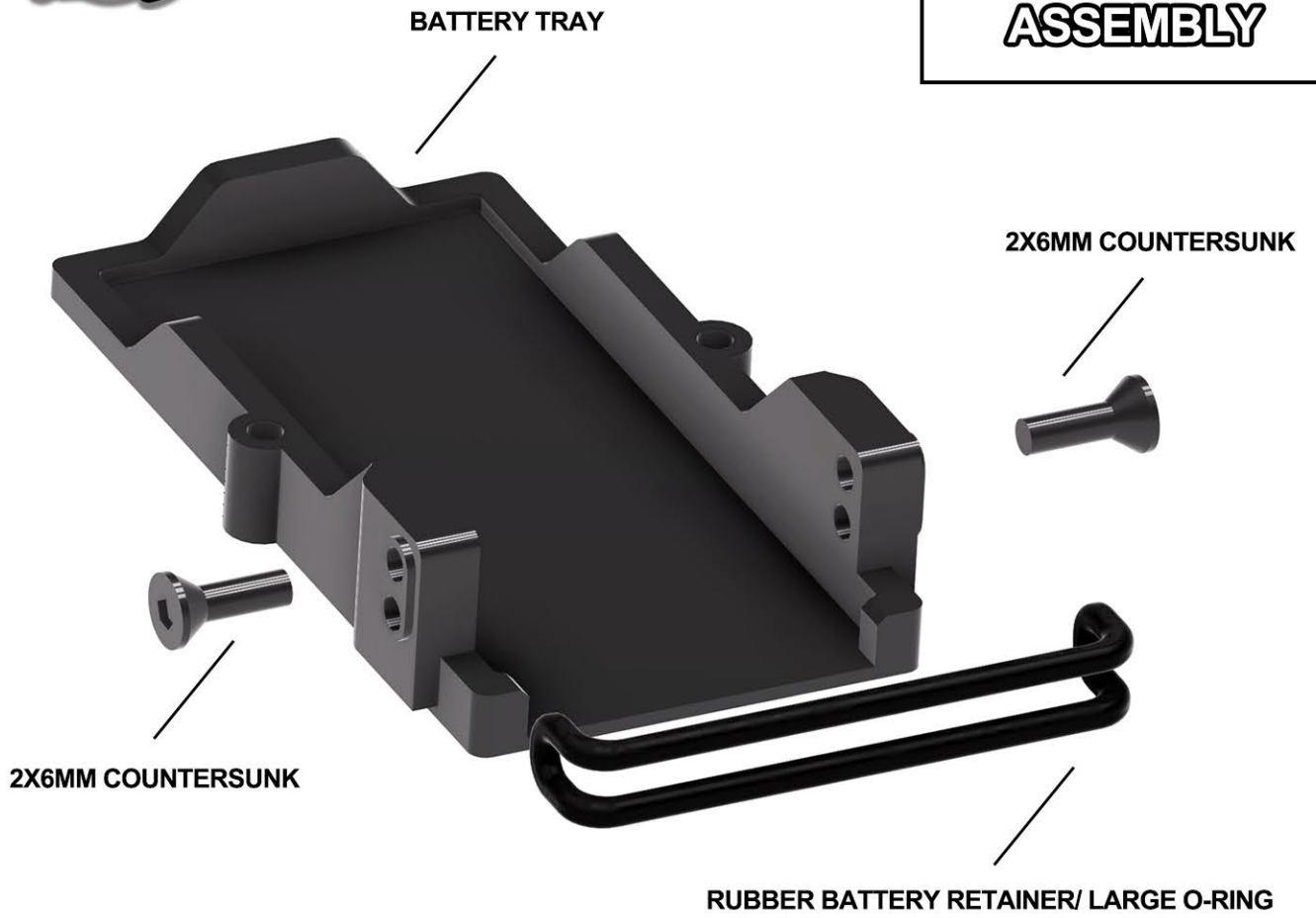
REAR ASSEMBLY



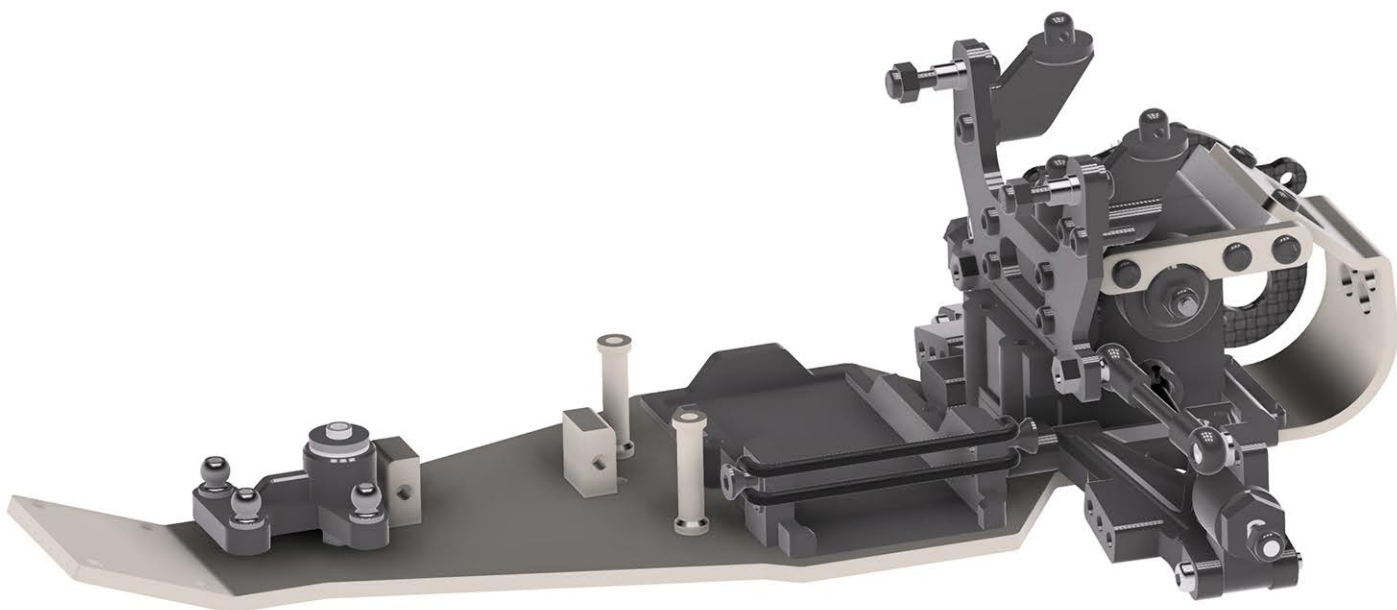
STEERING BELLCRANK ASSEMBLY



CHASSIS ASSEMBLY



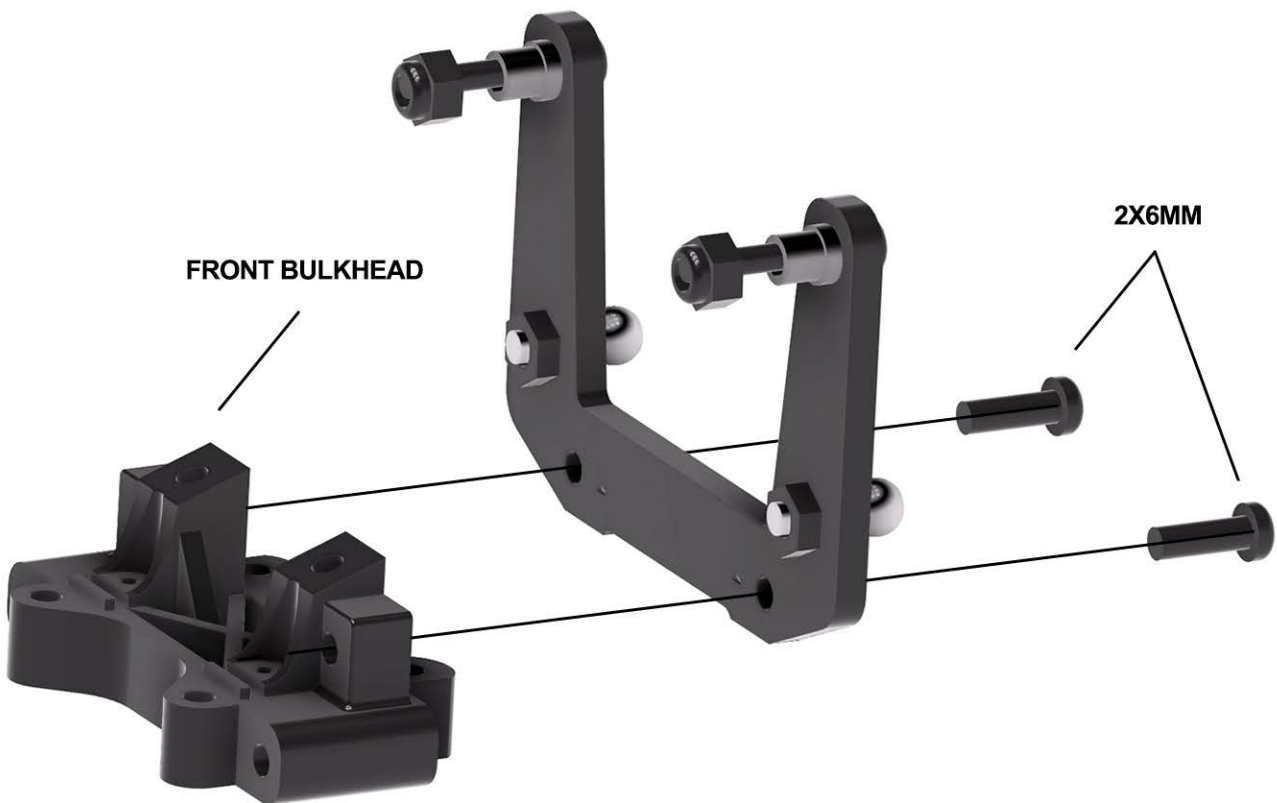
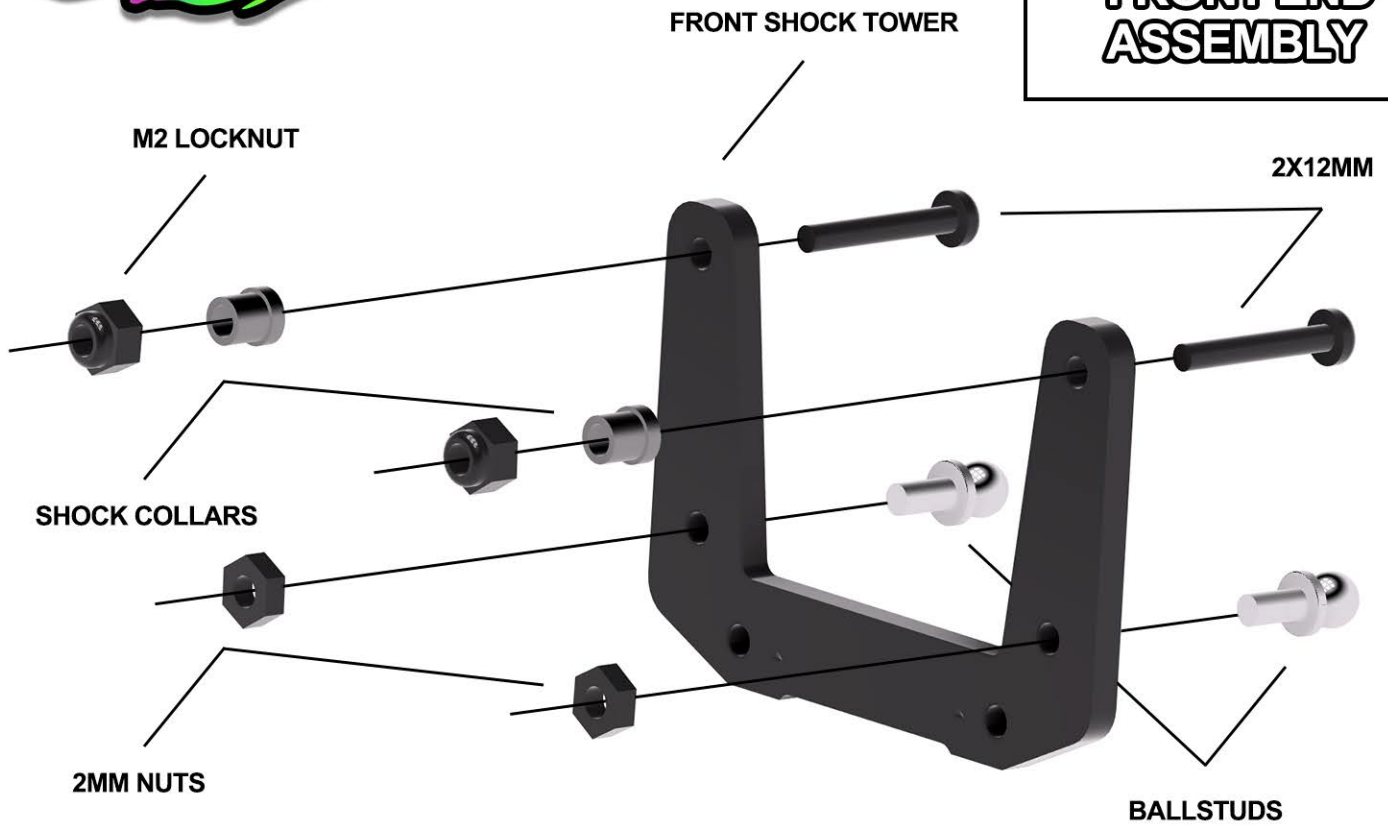
CHASSIS ASSEMBLY

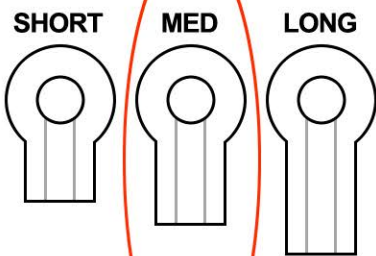


REAM FRONT SHOCK TOWER HOLES (IN RED) WITH 2MM DRILL BIT



FRONT END ASSEMBLY



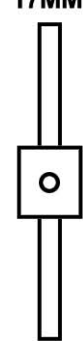


15MM

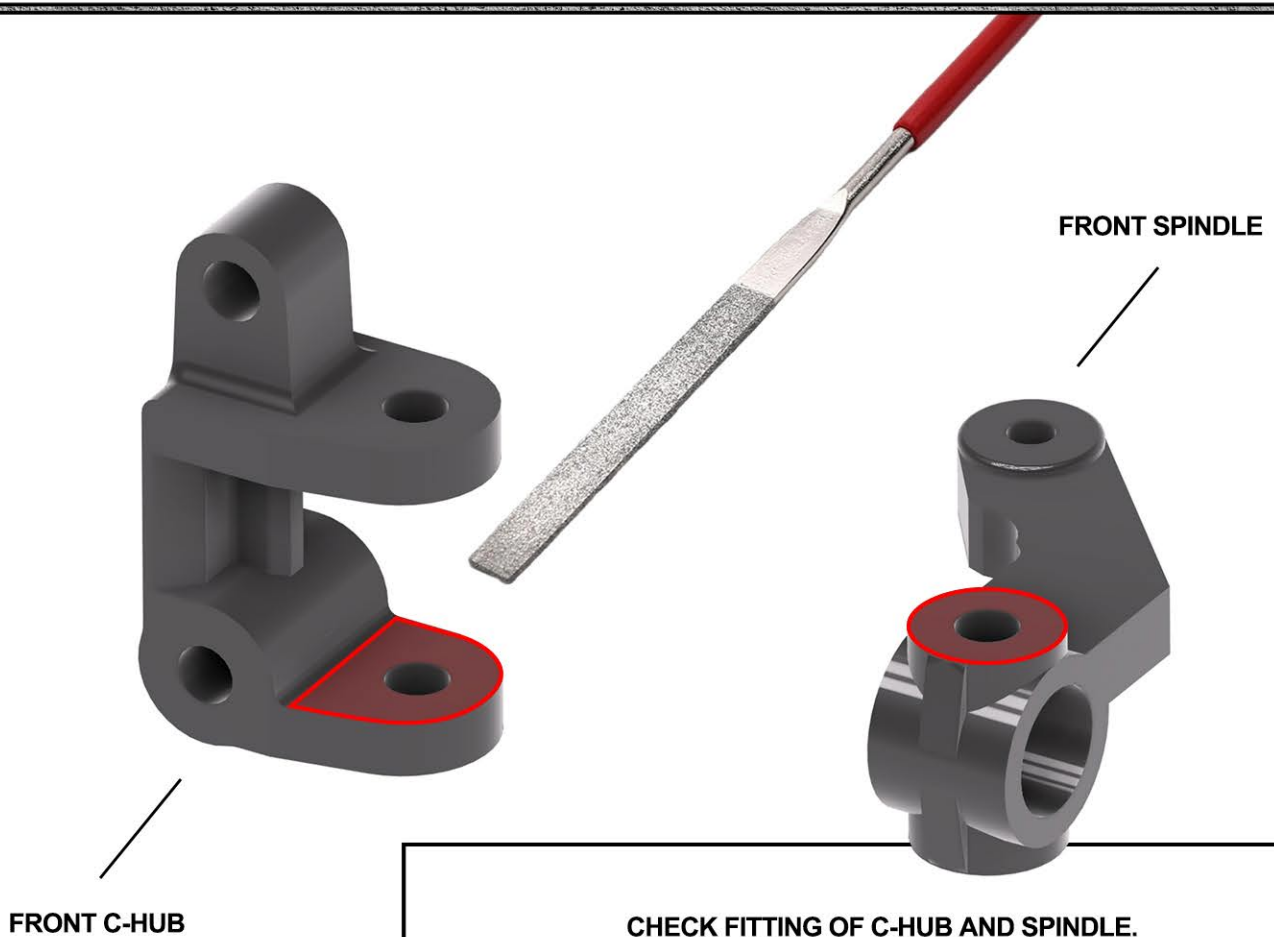
16MM

17MM

STEERING

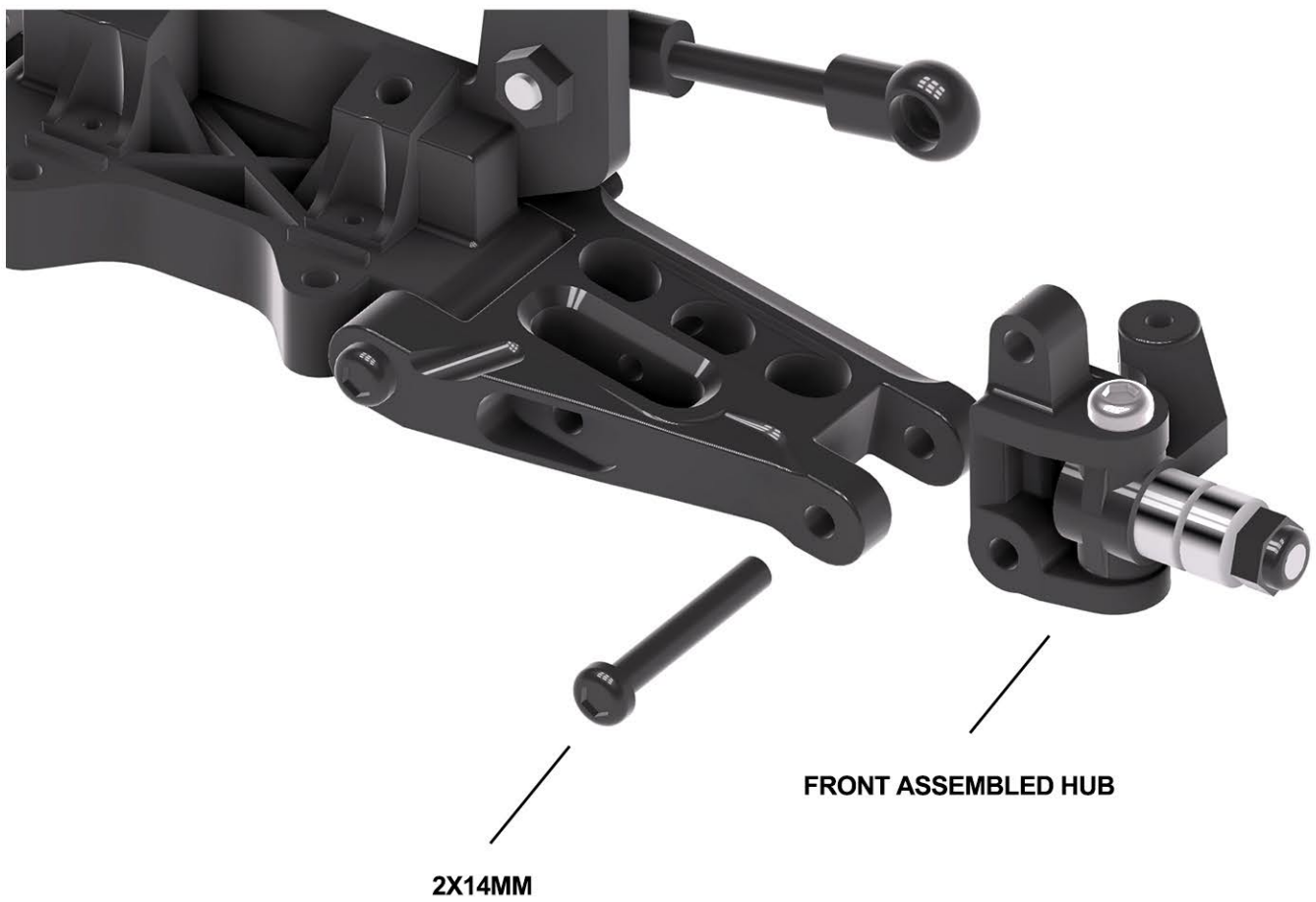
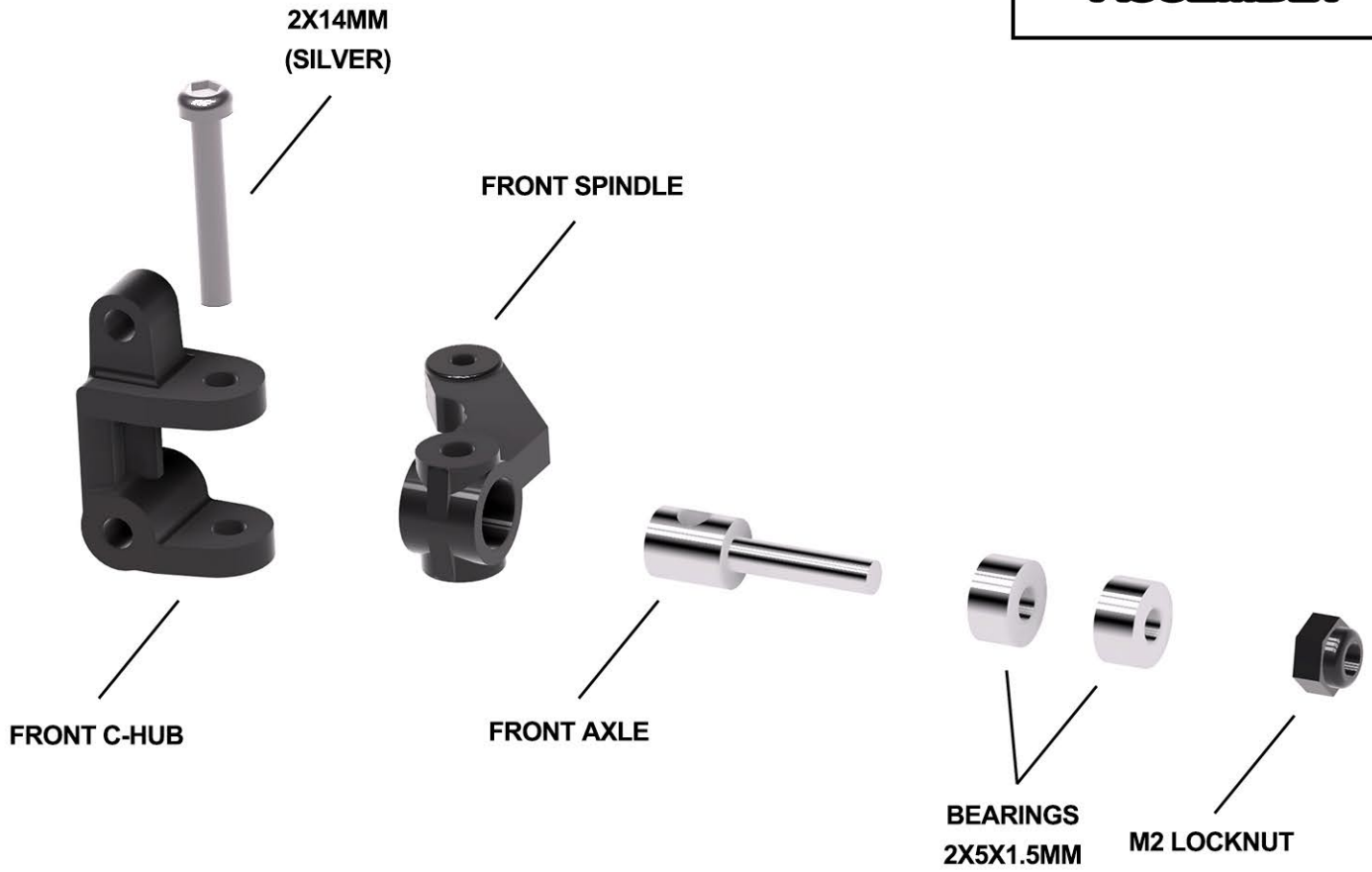


FRONT END ASSEMBLY



**CHECK FITTING OF C-HUB AND SPINDLE.
IF IT IS TIGHT, USE THE HOBBY FILE TO REMOVE SOME
MATERIAL FROM THE AREAS IN RED**

FRONT END ASSEMBLY



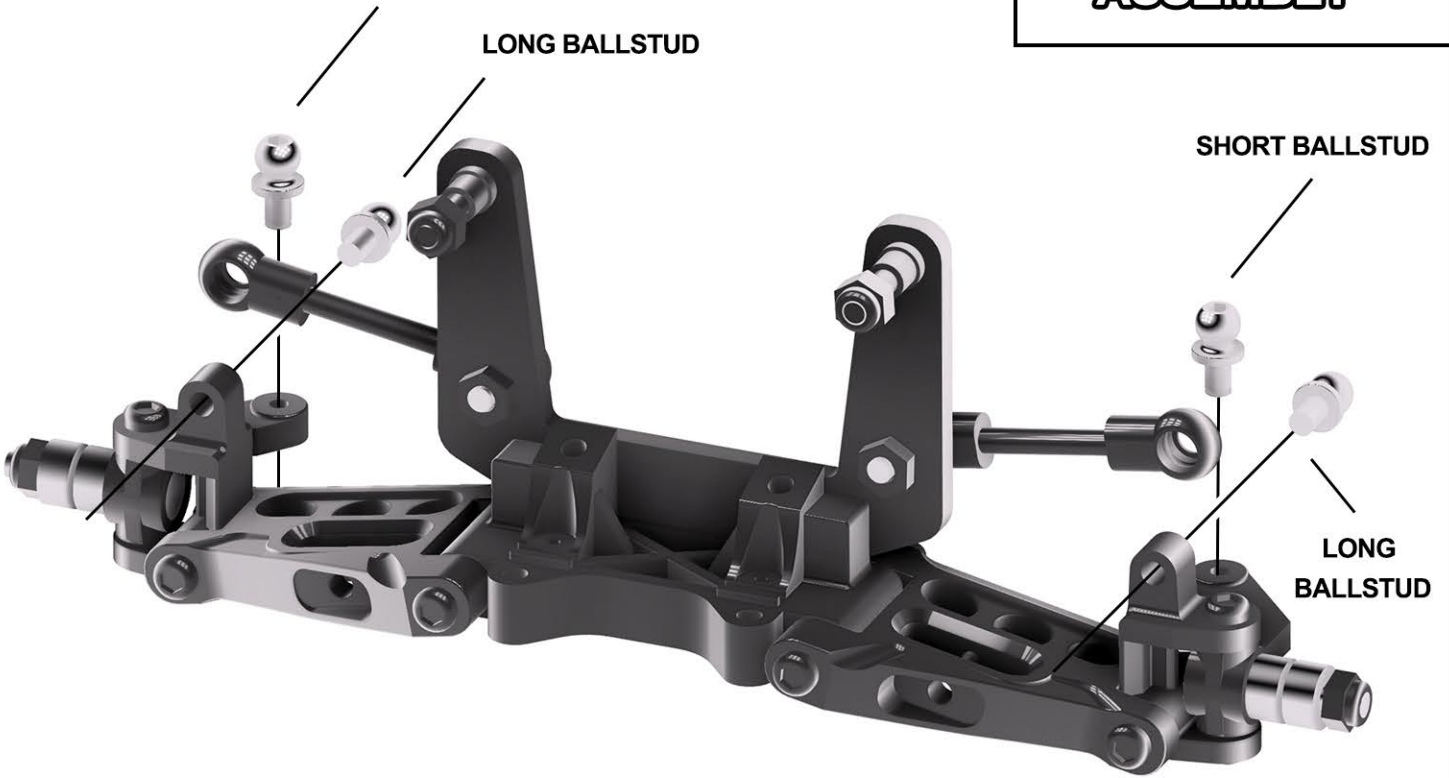
FRONT END ASSEMBLY

SHORT BALLSTUD

LONG BALLSTUD

SHORT BALLSTUD

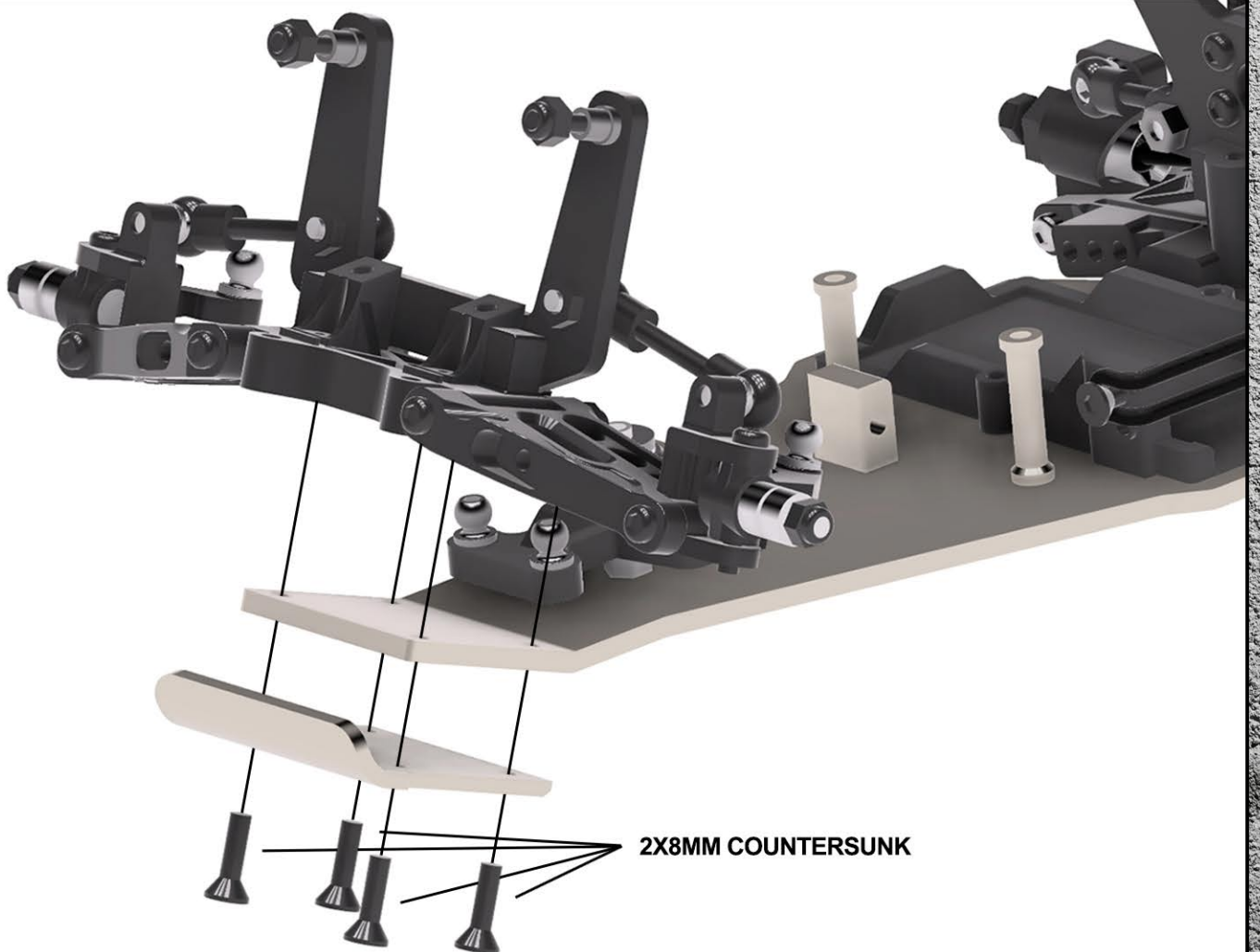
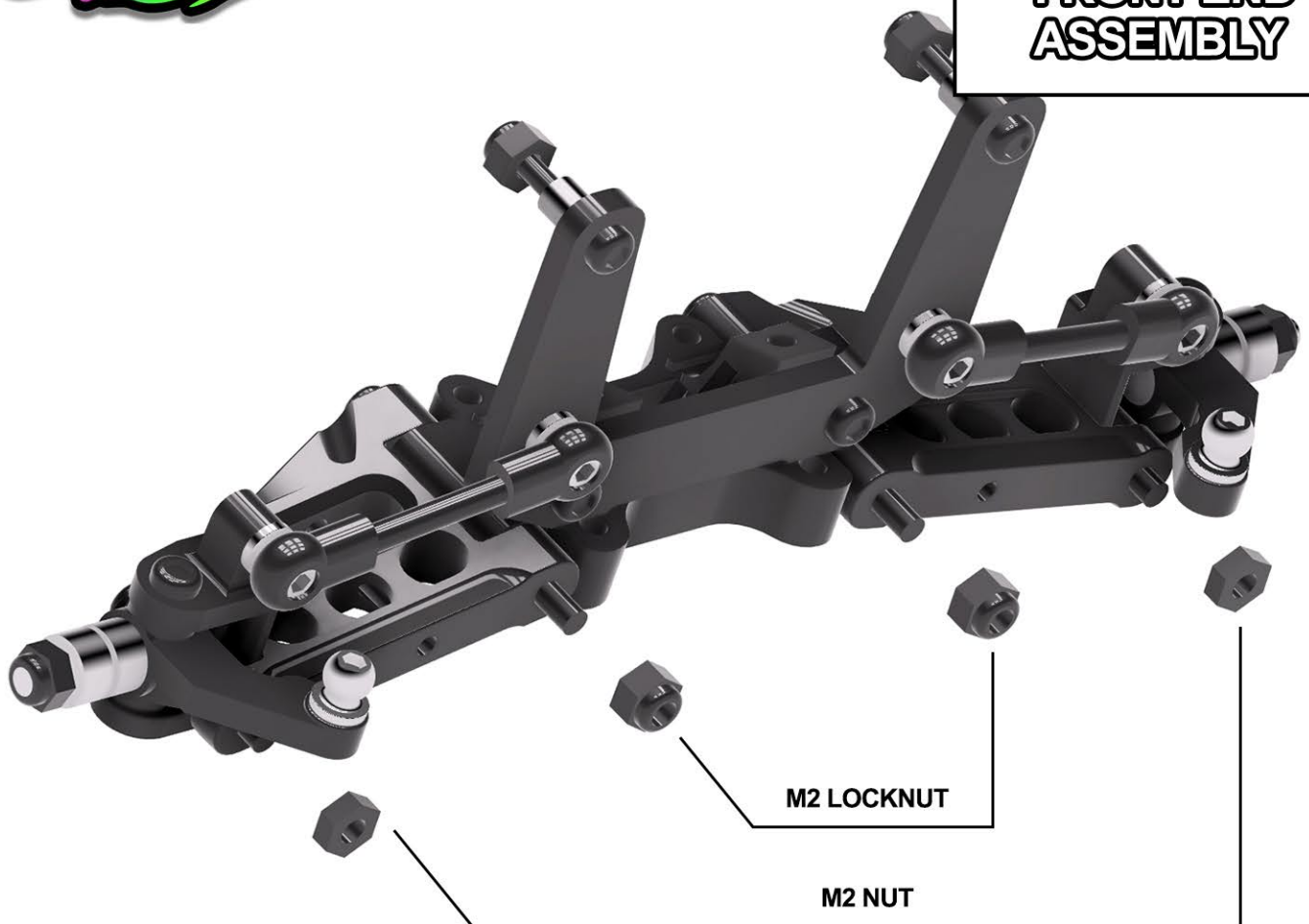
LONG BALLSTUD



ATTACH
CAMBER LINK

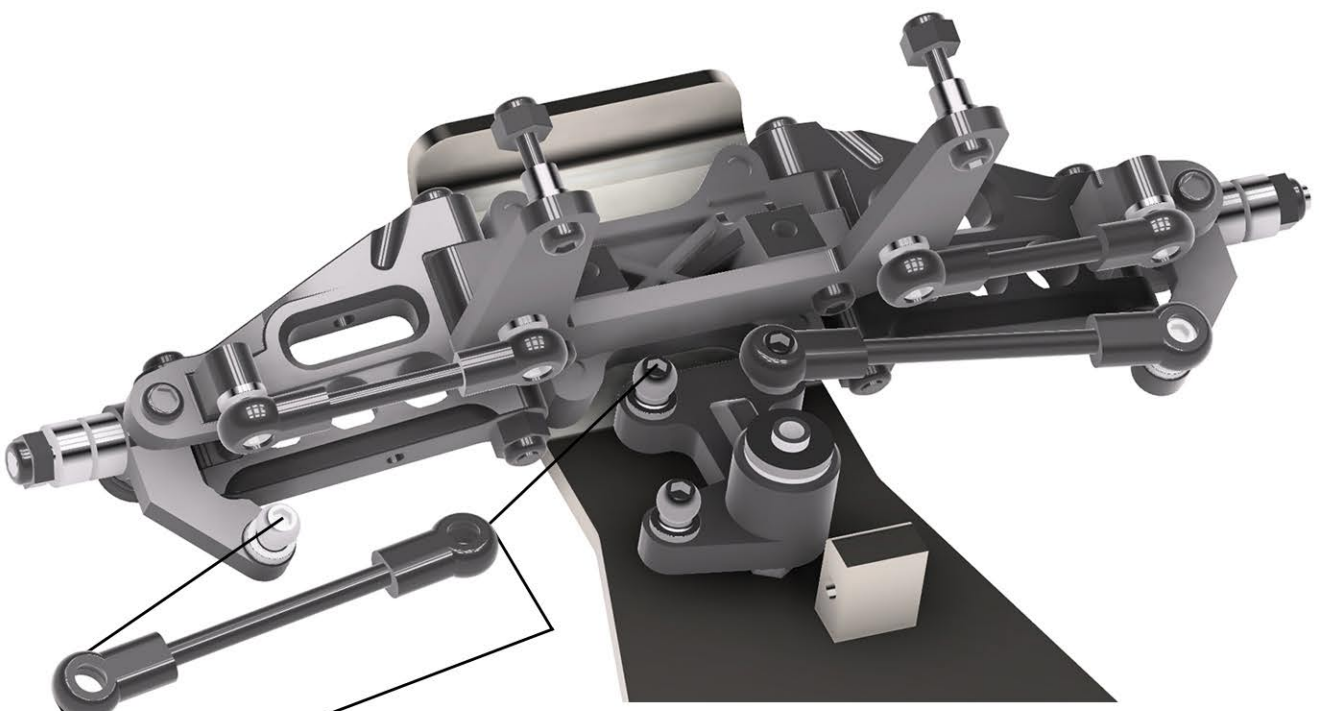
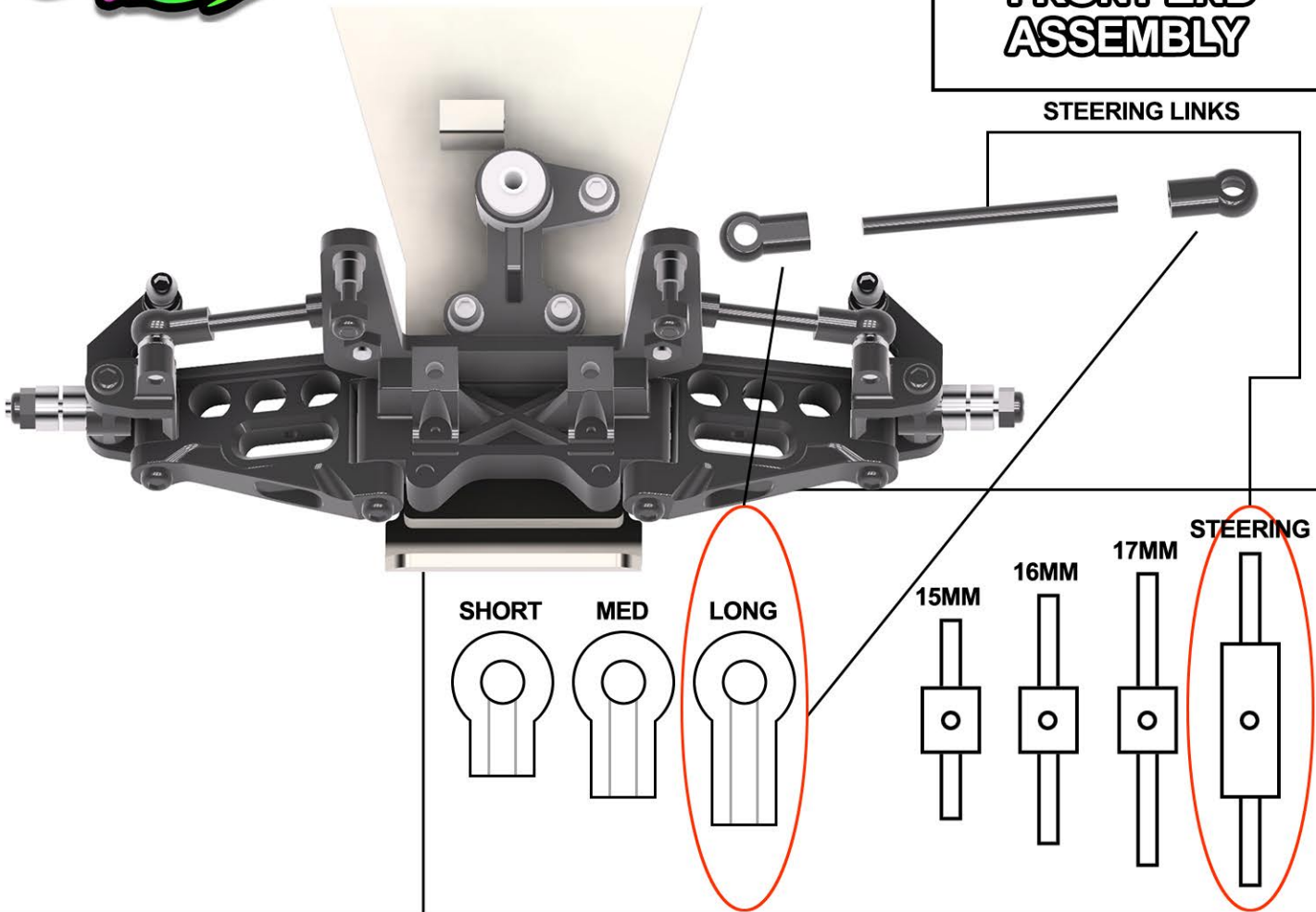


FRONT END ASSEMBLY



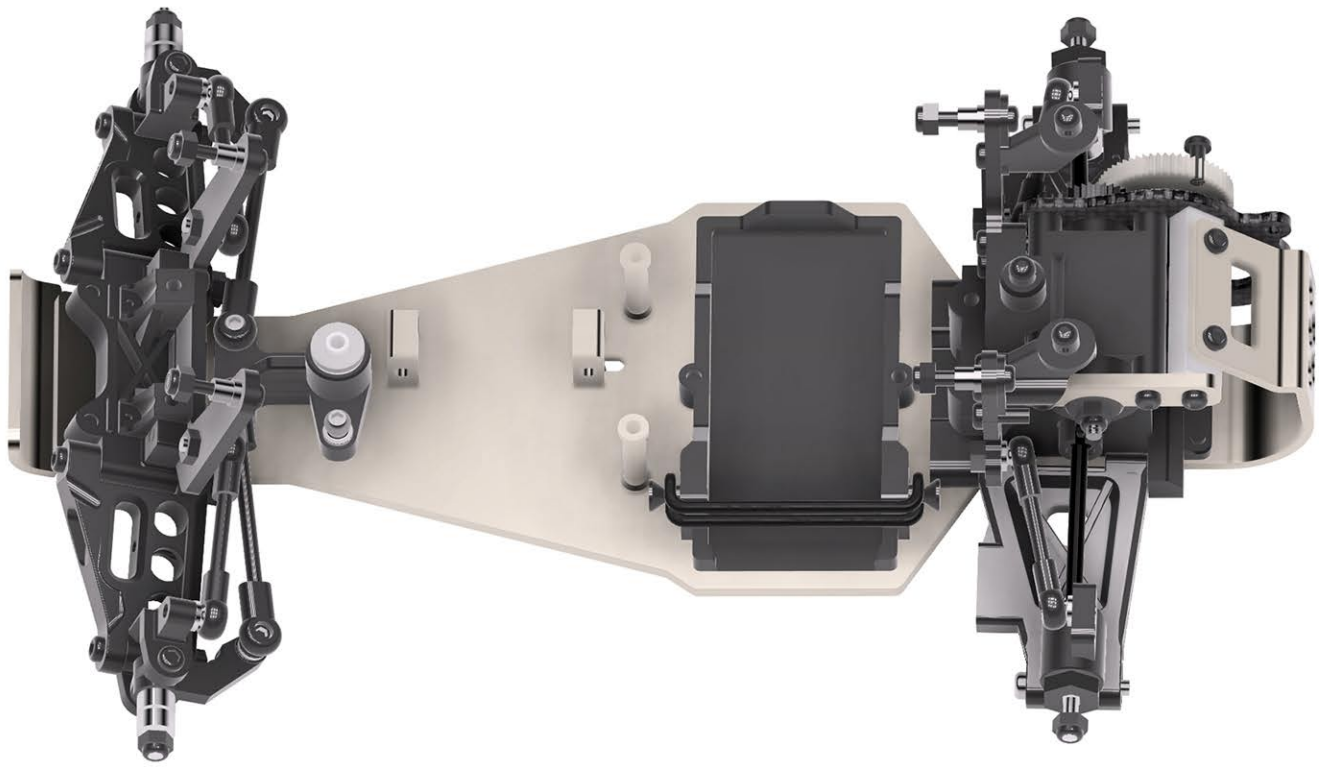
FRONT END ASSEMBLY

STEERING LINKS

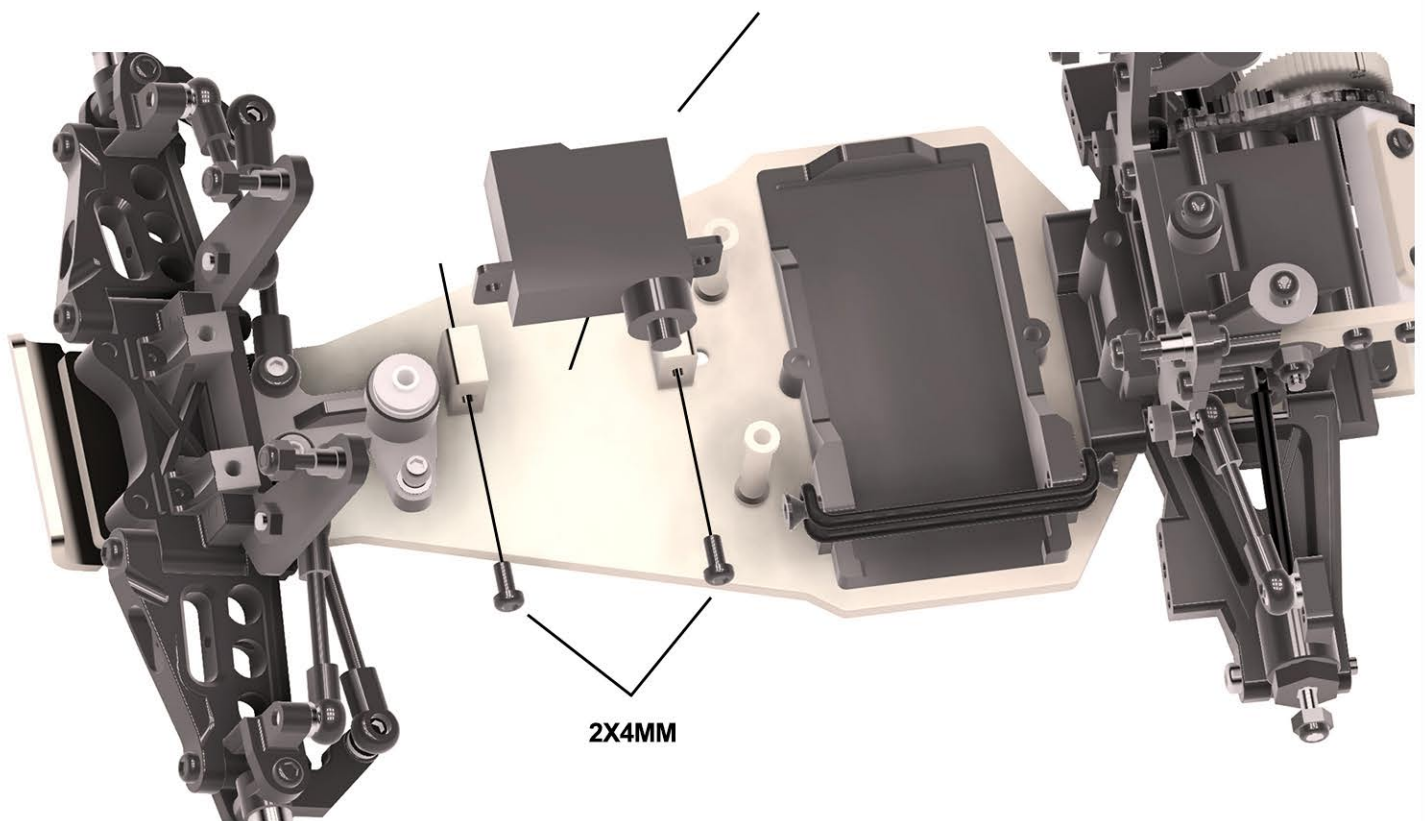


39.5MM

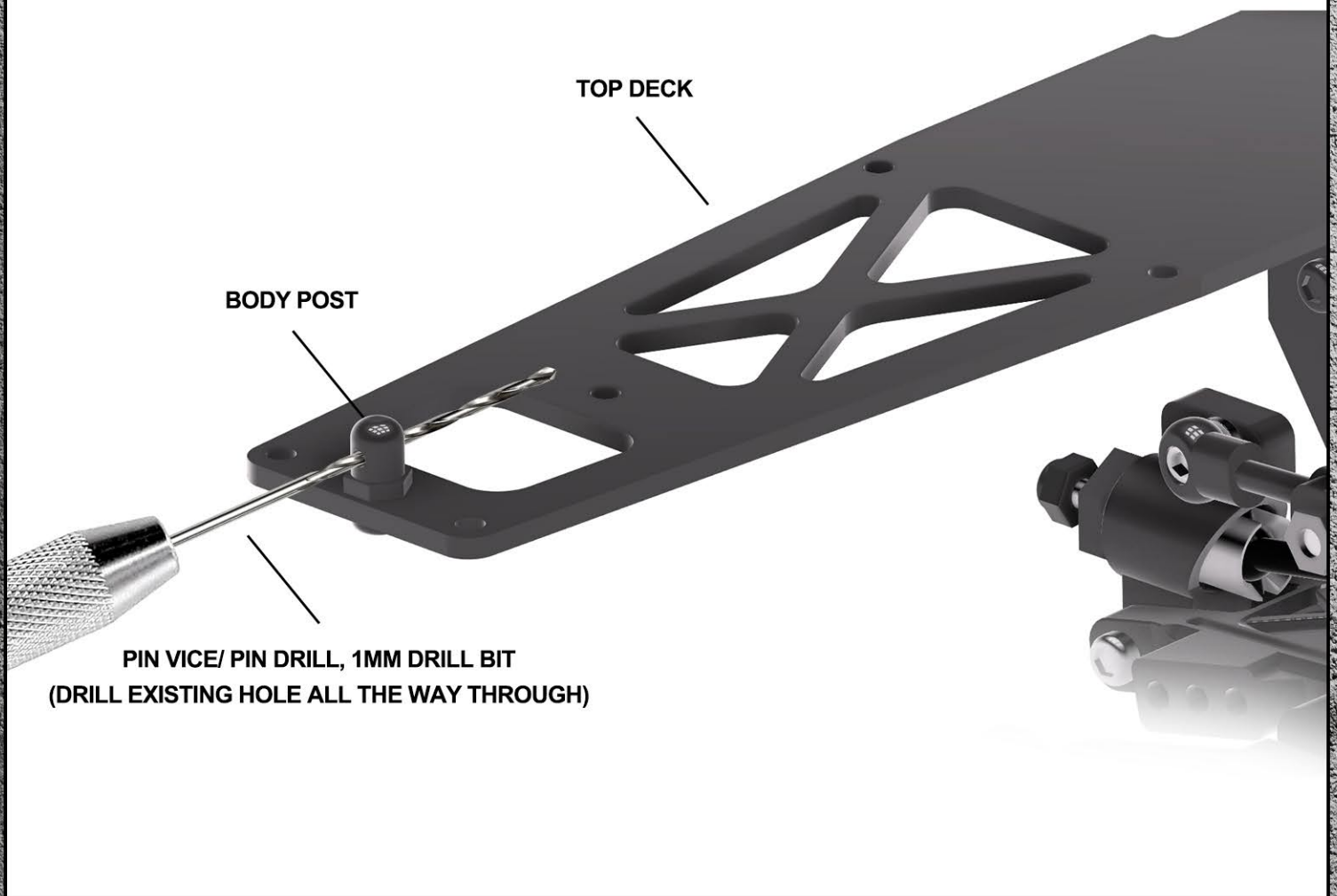
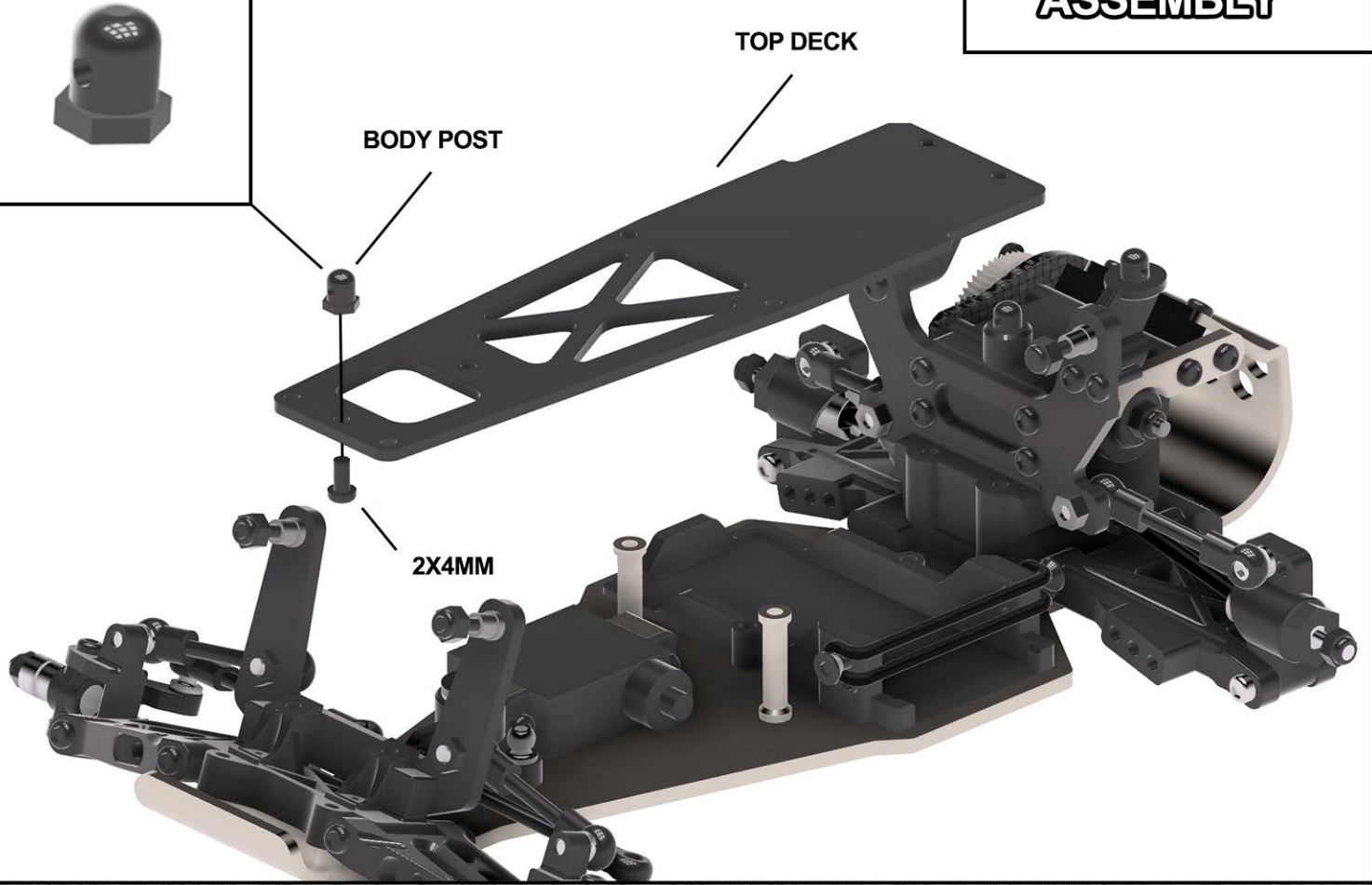
STEERING LINK LENGTH



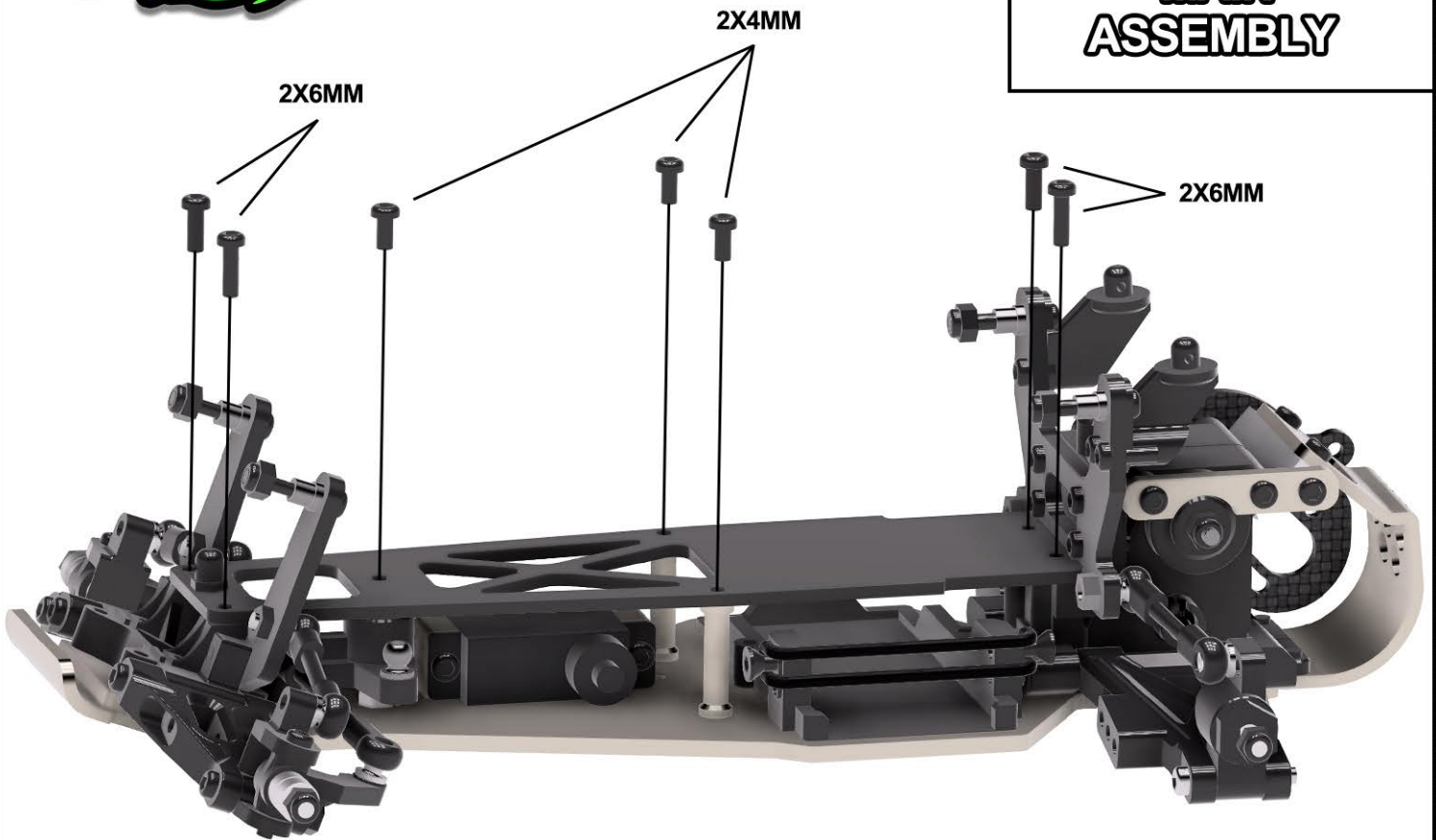
STEERING SERVO



2X4MM

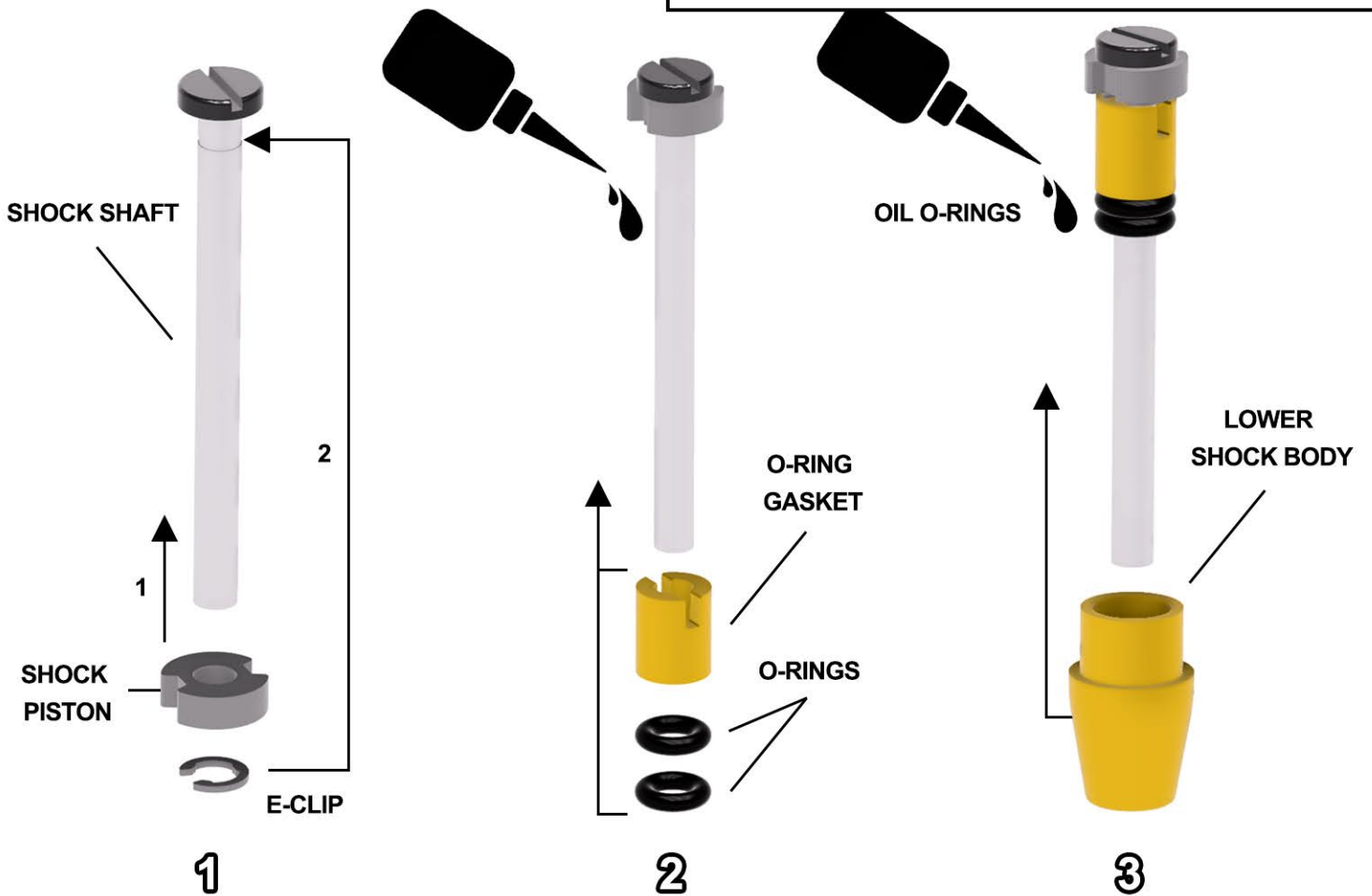


MAIN ASSEMBLY

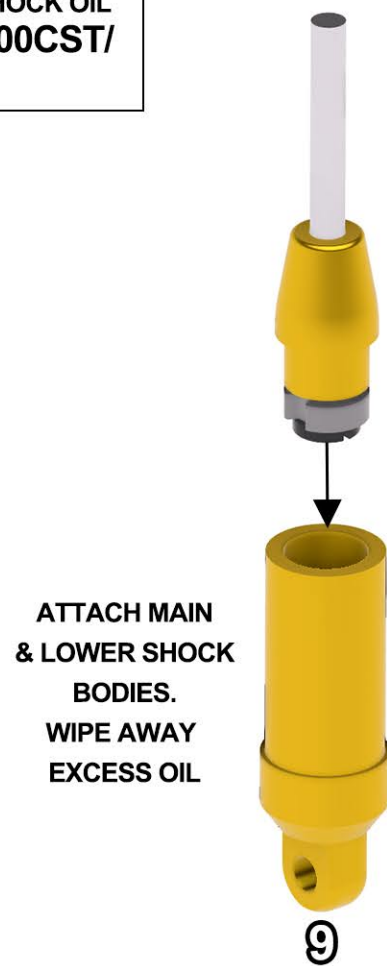
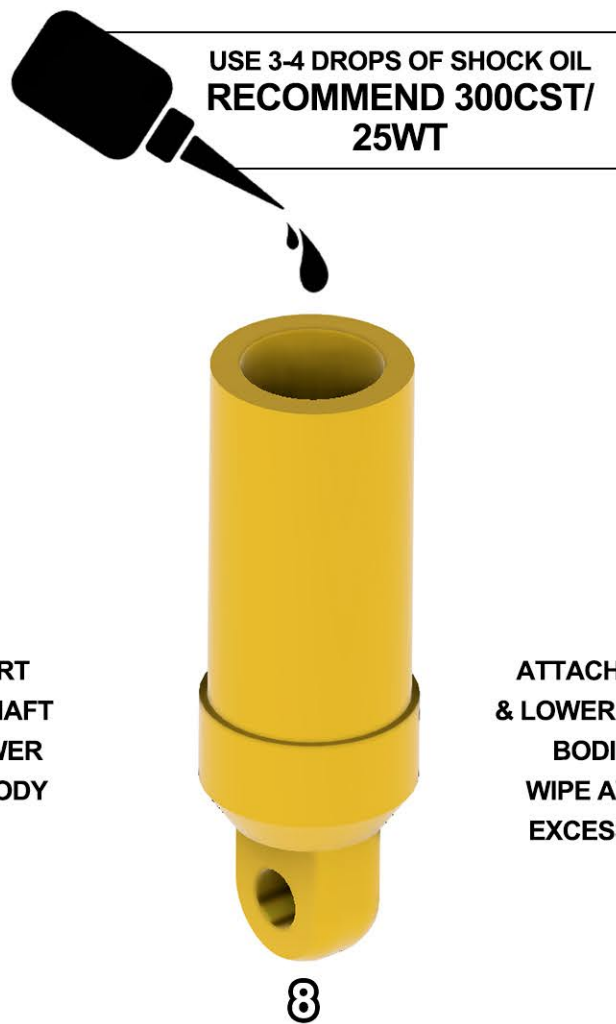
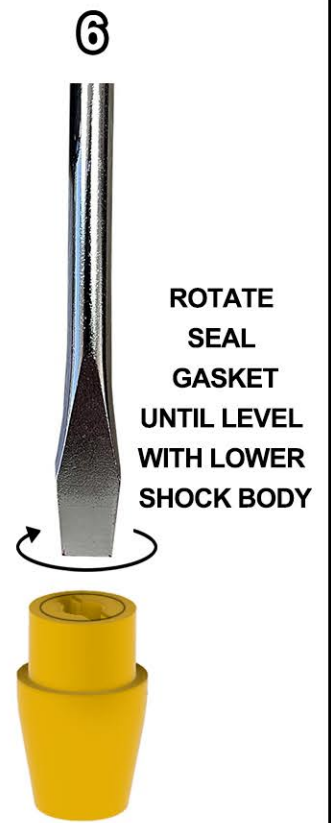
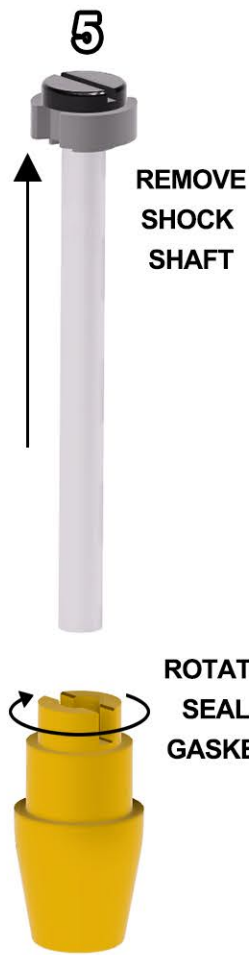


SILICON OIL/ SHOCK OIL

SHOCK ASSEMBLY- PARTS FROM SHOCK PARTS BAG



SHOCK ASSEMBLY



SHOCK ASSEMBLY

PUSH DOWN
SHOCK SHAFT



10

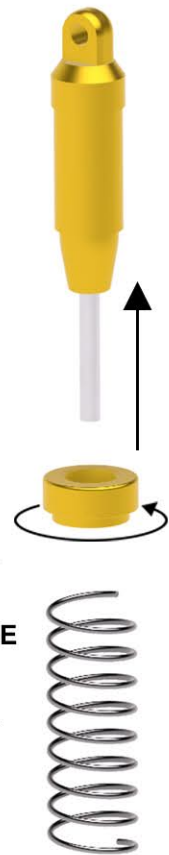
TIGHTEN FULLY



WIPE/
REMOVE
EXCESS OIL

11

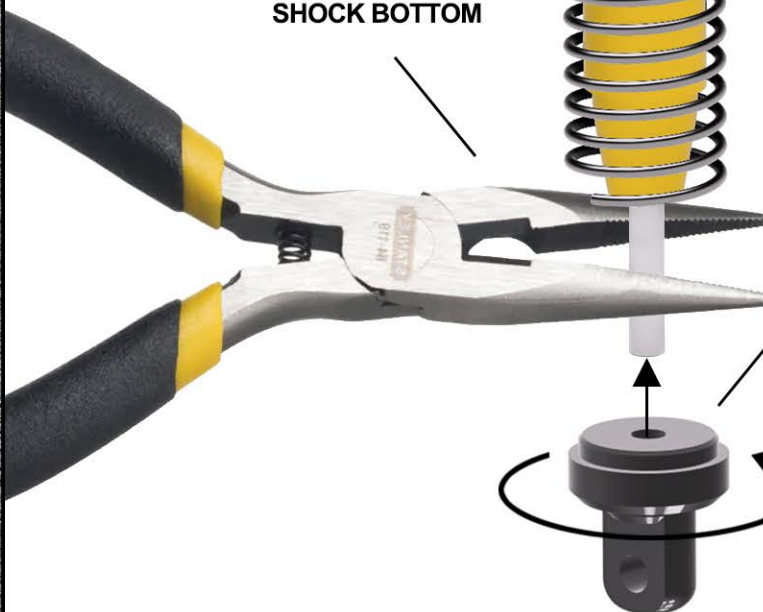
ATTACH &
TIGHTEN
ADJUSTABLE
SHOCK
COLLAR &
SPRING



12

COMPLETE SHOCK ASSEMBLY!
REPEAT PROCESS 2 FRONT & 2 REAR

HOLD SHOCK SHAFT WITH
PLIERS WHEN TIGHTENING
SHOCK BOTTOM



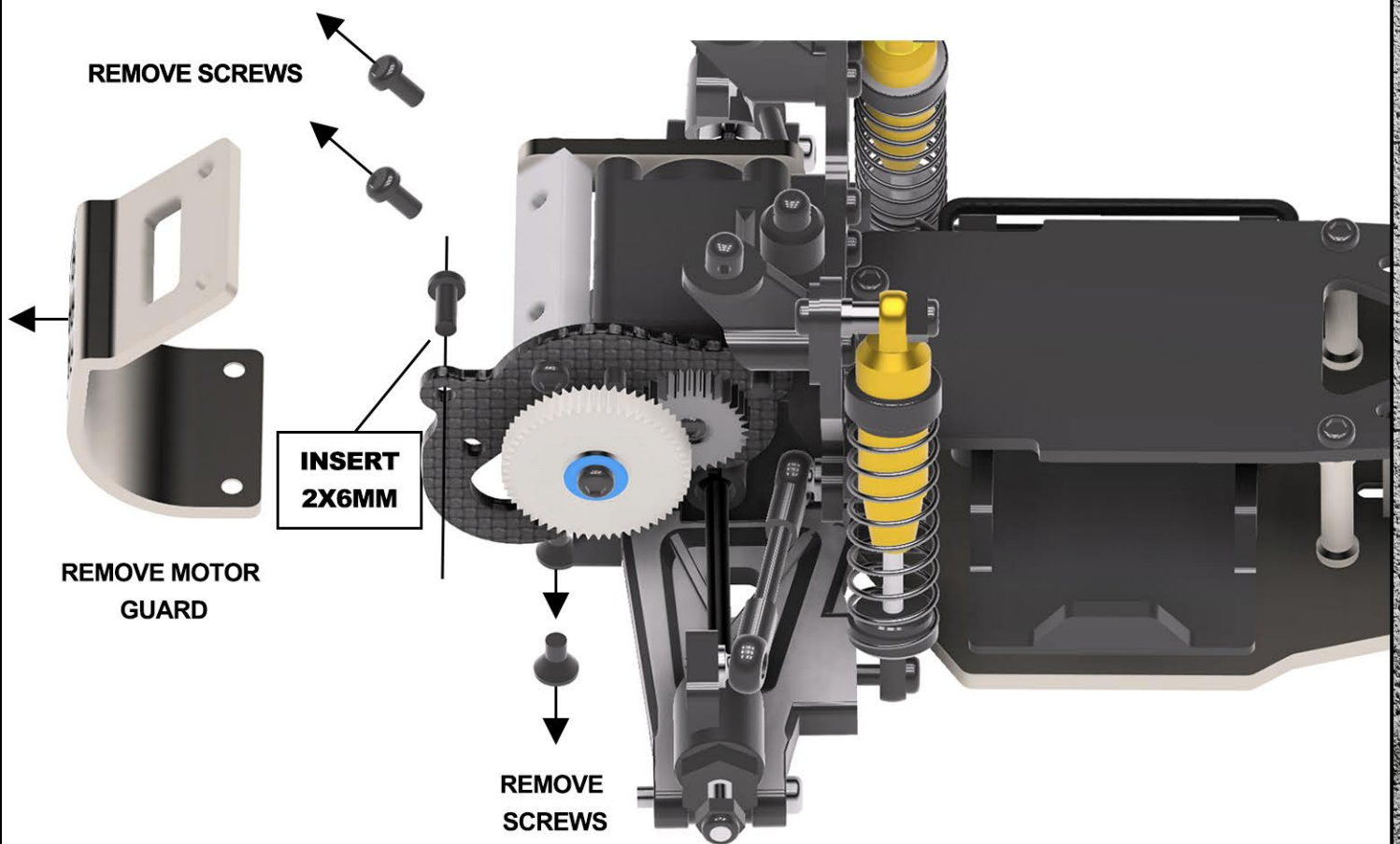
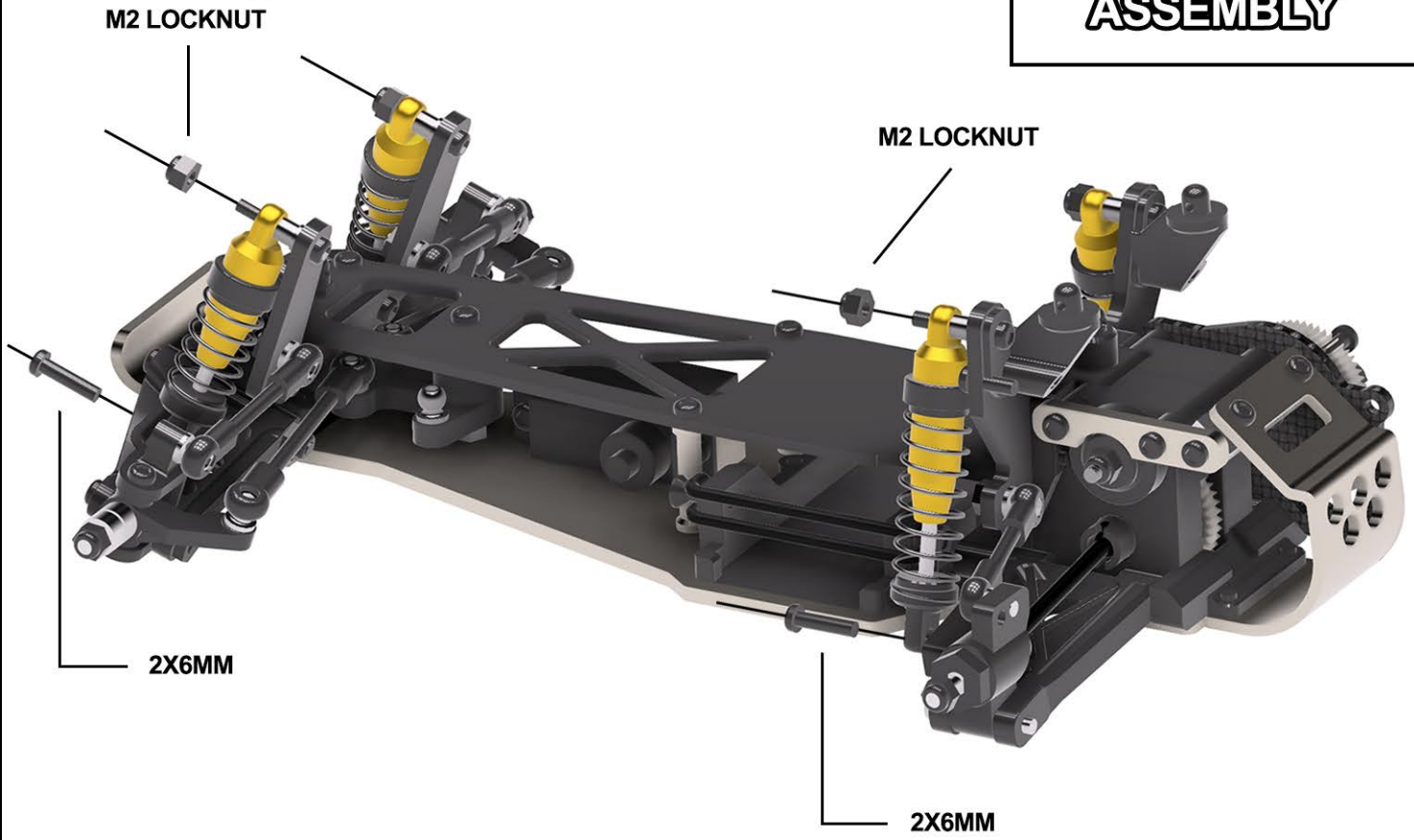
ATTACH AND SCREW ON
SHOCK BOTTOM

13



14

SHOCK ASSEMBLY



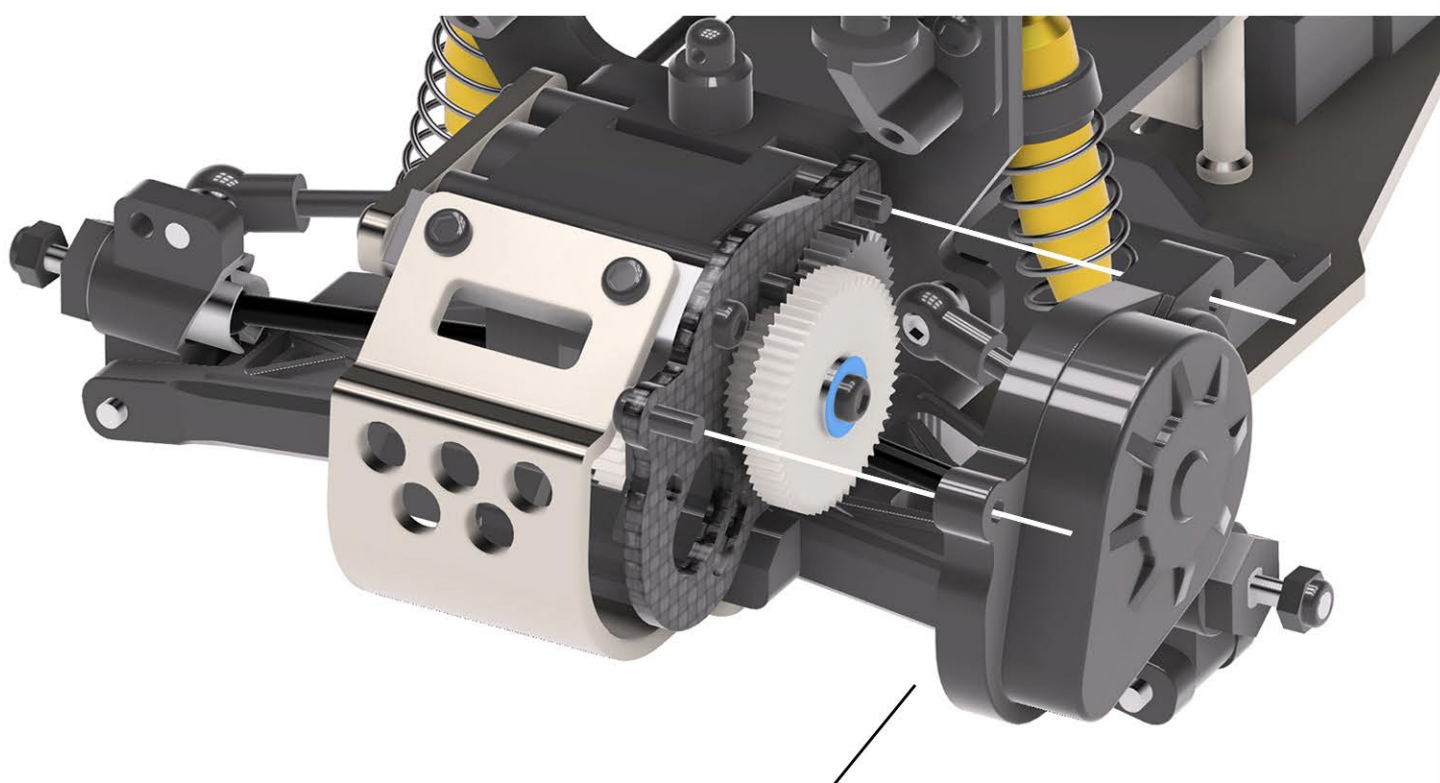
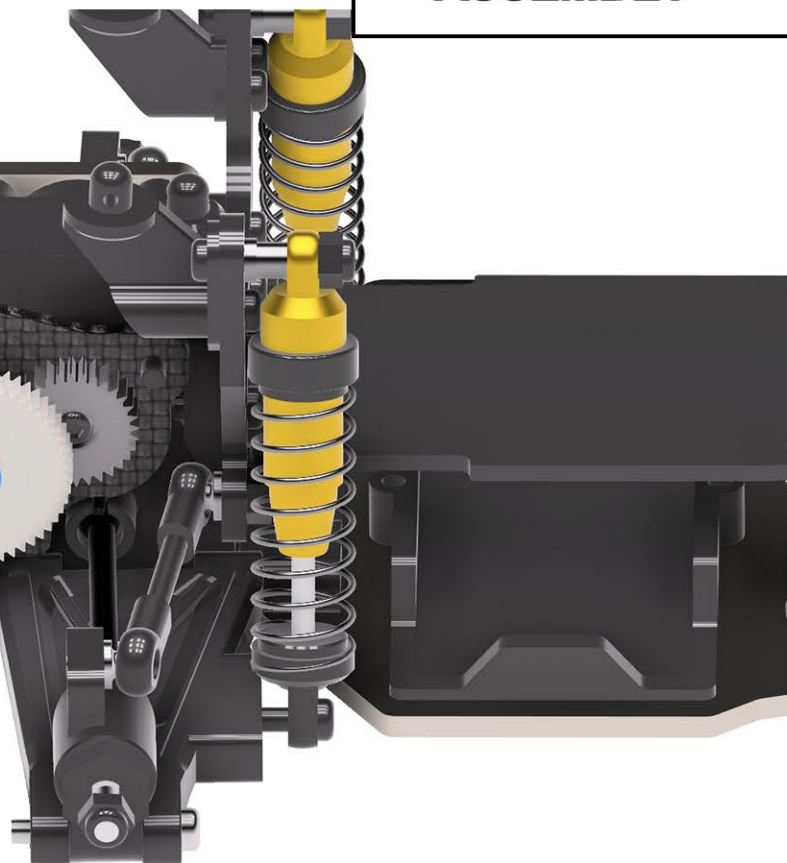
GEARCOVER ASSEMBLY

RE-ATTACH SCREWS



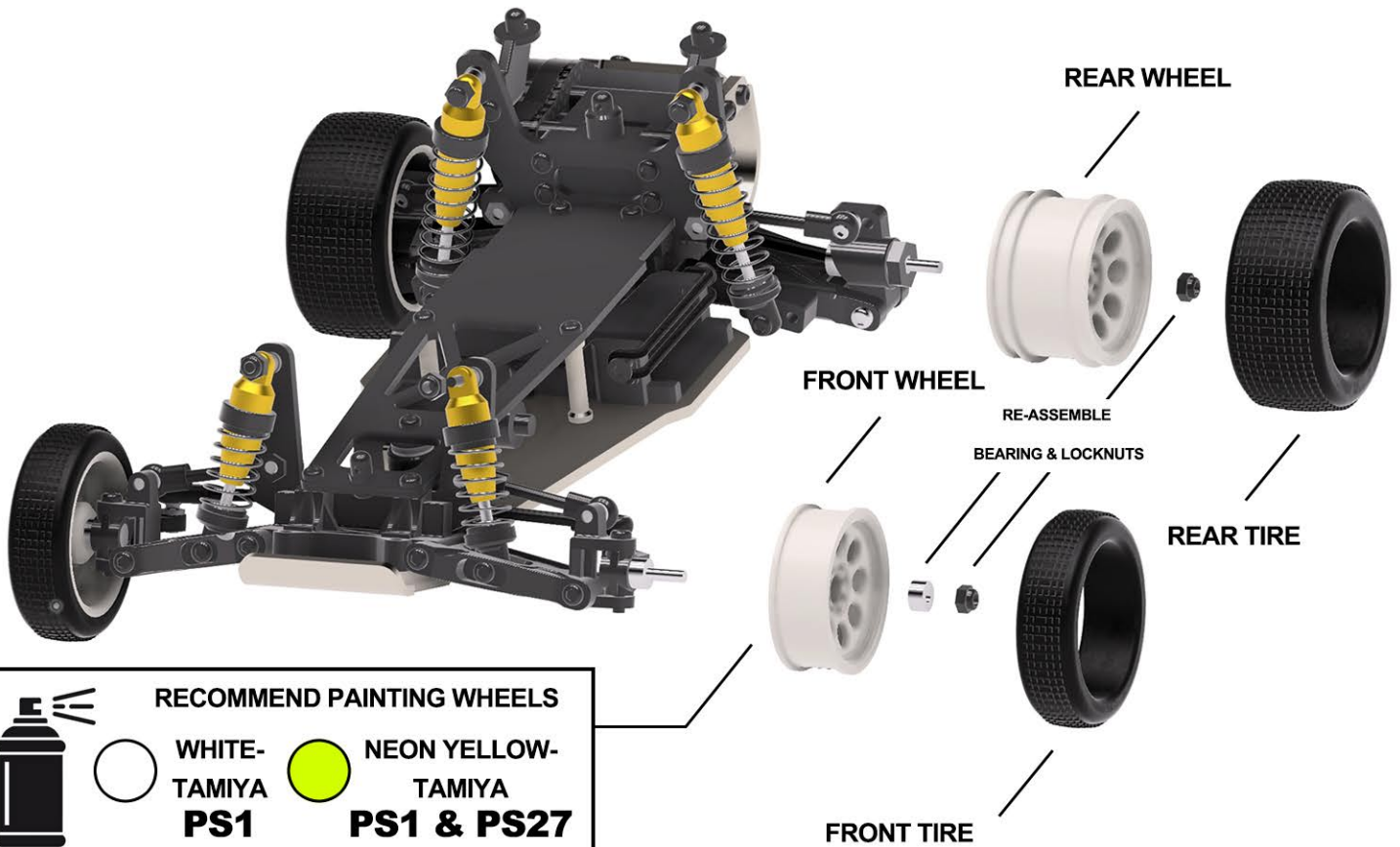
RE-ATTACH MOTOR GUARD

RE-ATTACH SCREWS



ATTACH GEARCOVER

WHEEL ASSEMBLY



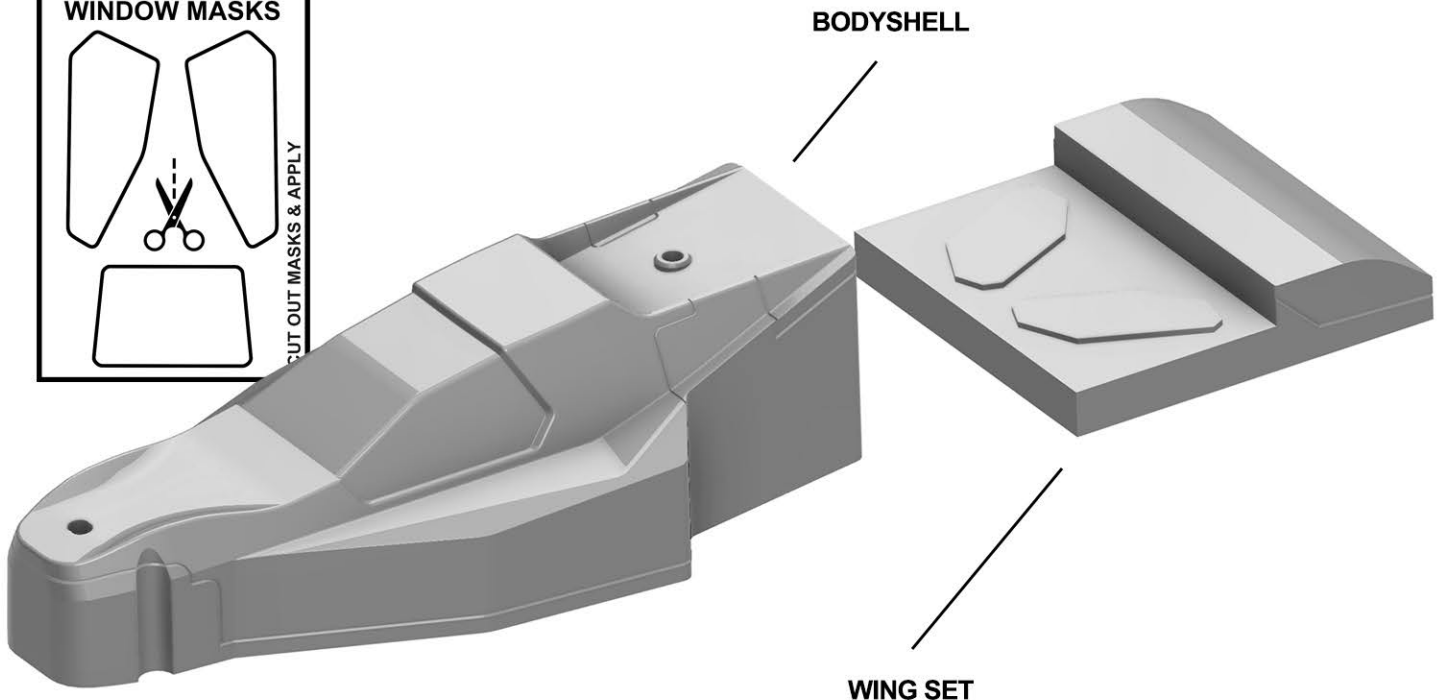
ASSEMBLED ROLLING CHASSIS



BODY & WING SET



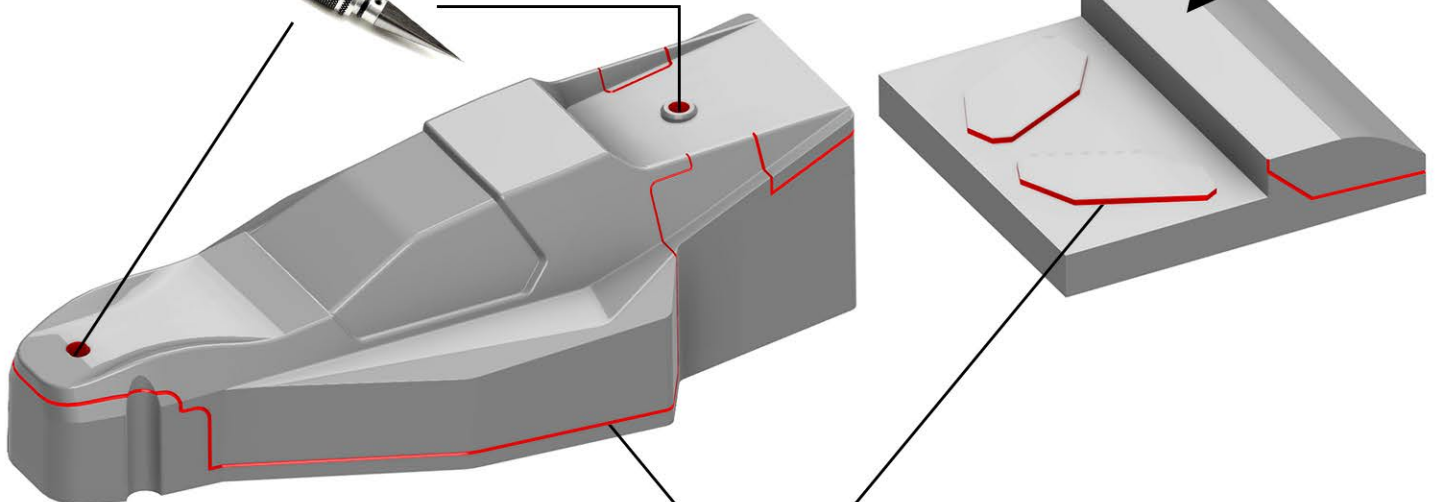
CUT OUT & APPLY WINDOW MASKS TO INSIDE OF BODYSHELL



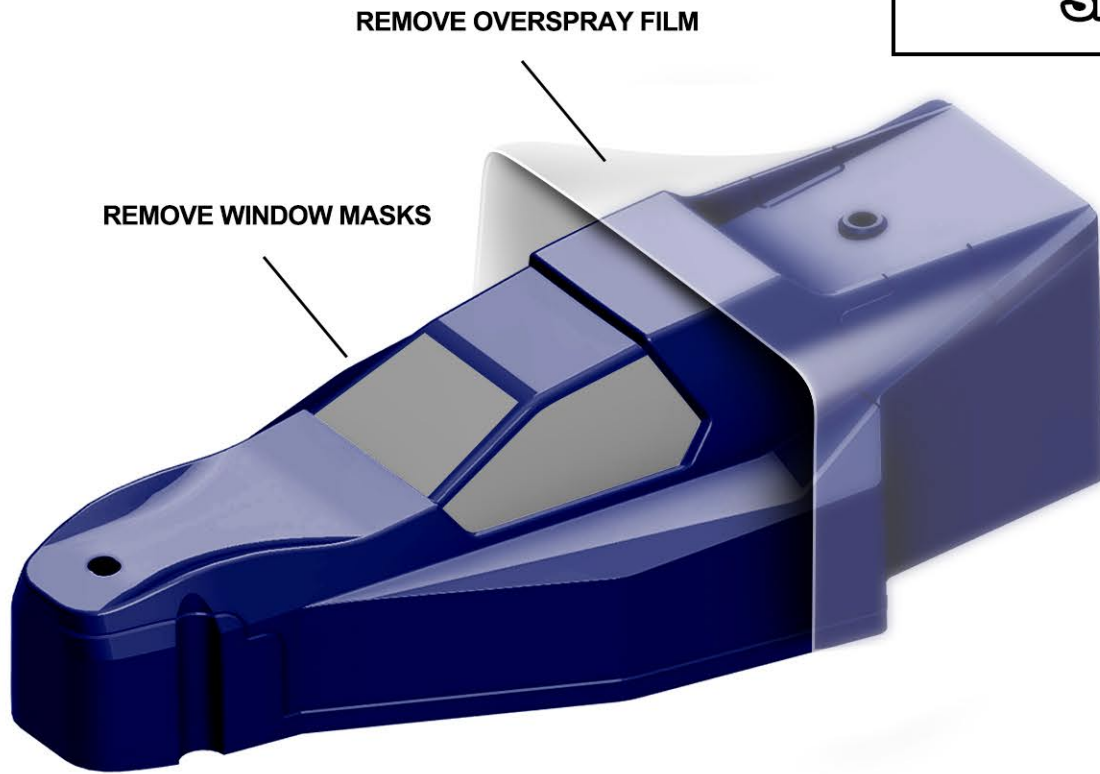
USE POLYCARBONATE/ LEXAN PAINTS ON INSIDE OF BODYSHELL



USE BODY REAMER FOR HOLES



CUT BODYSHELL & WING ALONG RED LINES
USE DOUBLE-SIDED TAPE TO ATTACH WING ENDS



COMPLETE BODY, WING & ROLLING CHASSIS

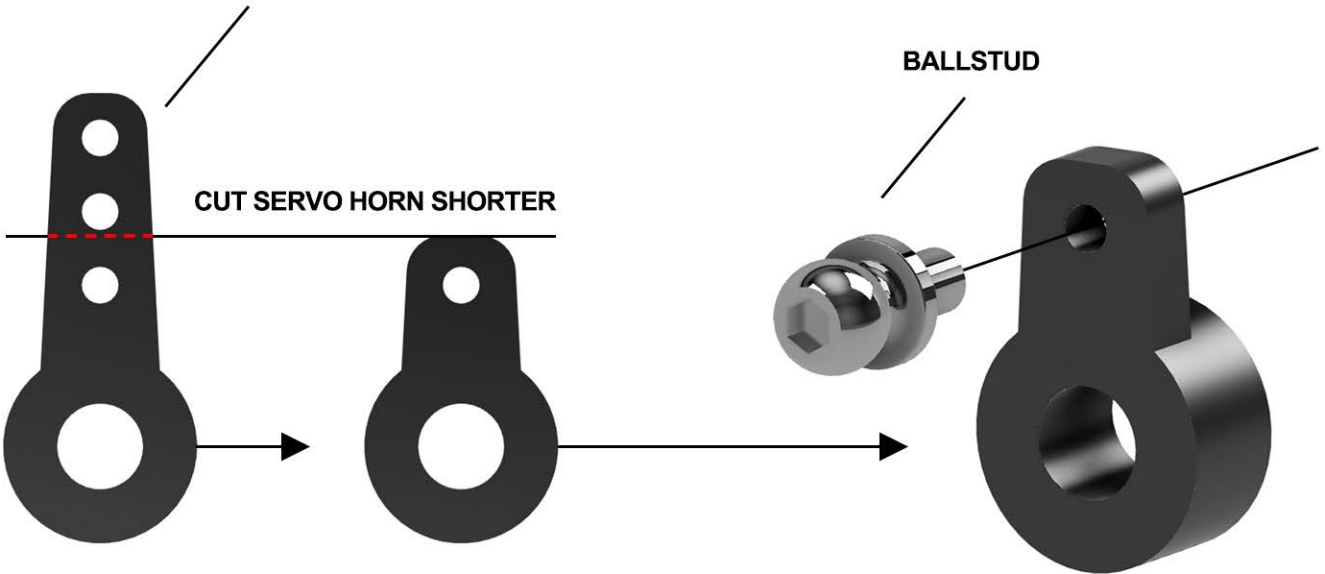


SERVO HORN INCLUDED WITH SERVO

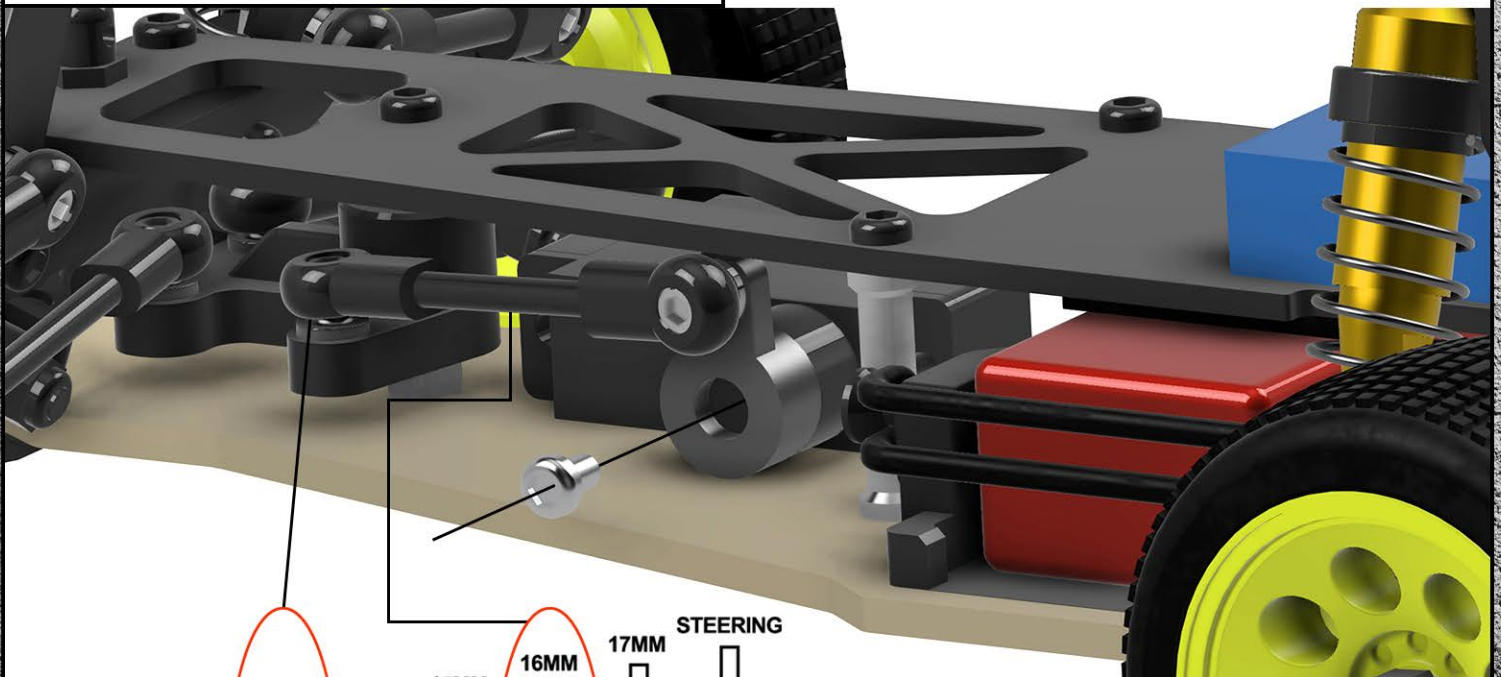
WITH SERVO

CUT SERVO HORN SHORTER

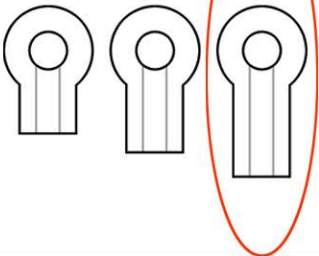
BALLSTUD



INSTALL SERVO HORN & ATTACH BELLCRANK LINK



SHORT MED LONG

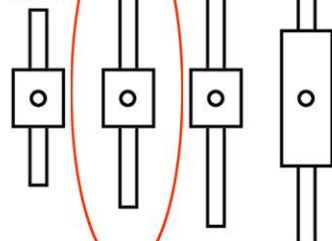


15MM

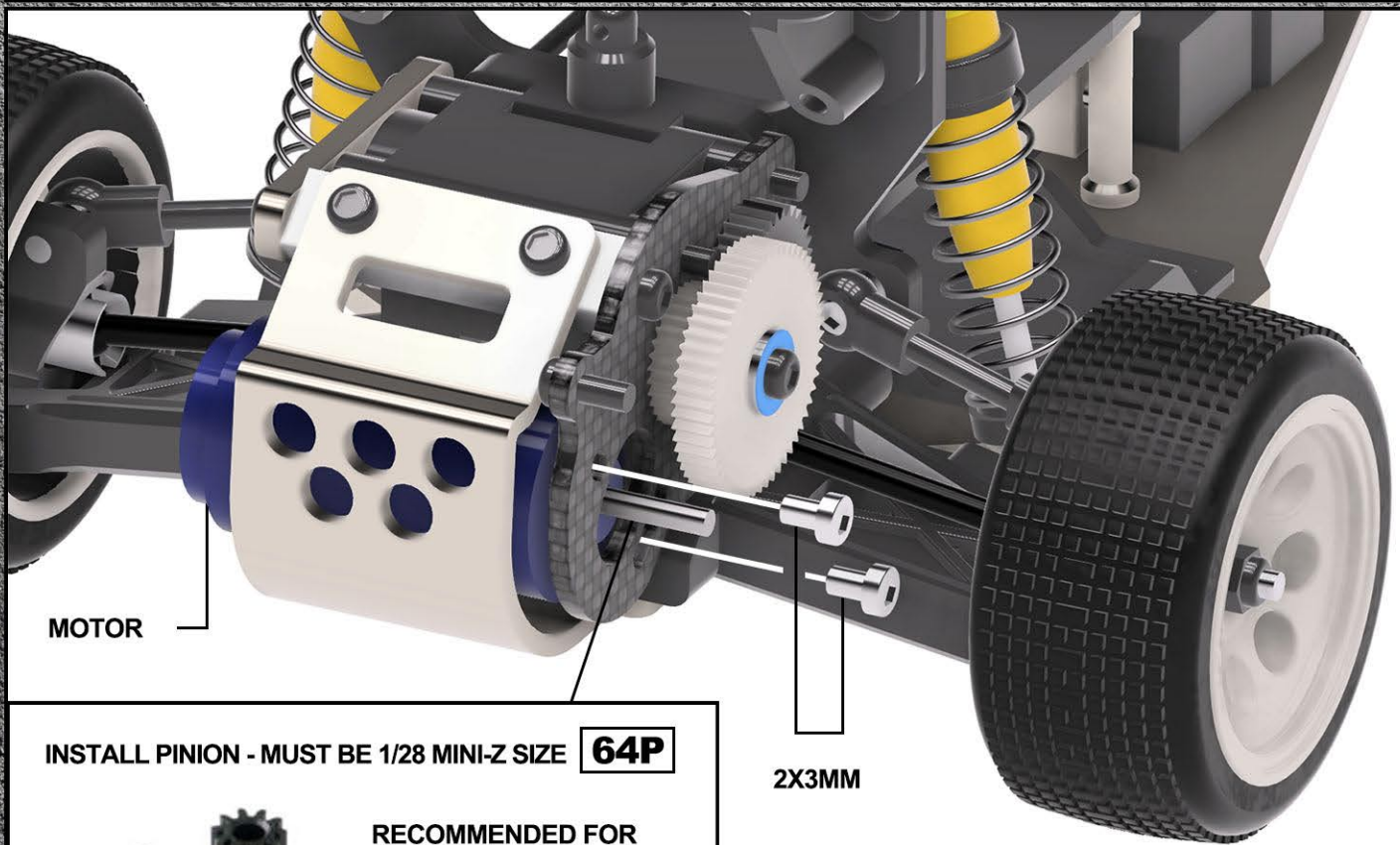
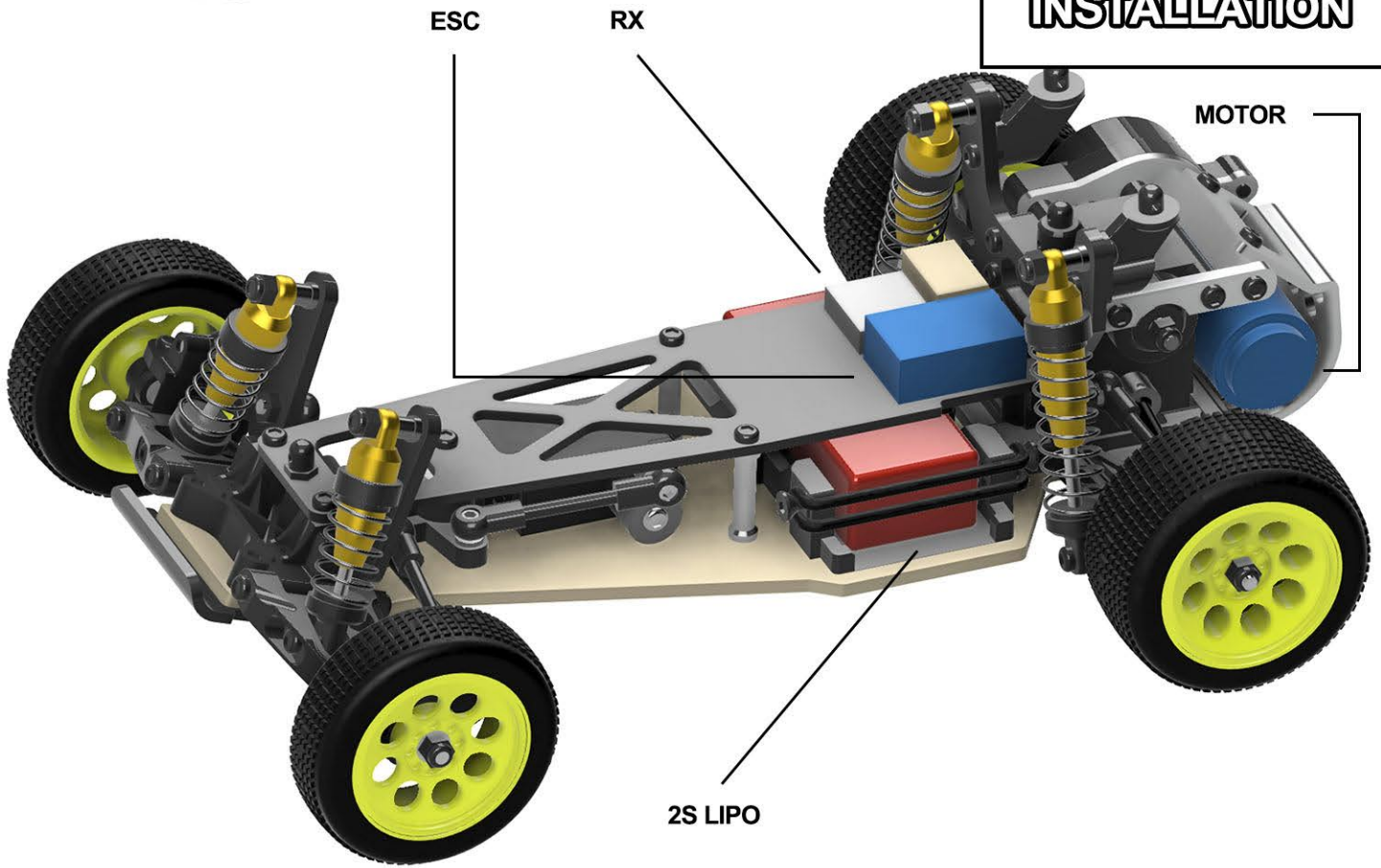
16MM

17MM

STEERING



ELECTRONICS INSTALLATION



INSTALL PINION - MUST BE 1/28 MINI-Z SIZE **64P**



RECOMMENDED FOR
3500KV - 550KV MOTOR-

12T PINION

2X3MM

NRC PROJECTS



THANK YOU!

**ENJOY RACING
YOUR BUGGY**

www.nrcprojects.com